

# S010 / S011

## Pressure Transmitter

### Seamless Integration into your Compressed Air System

Pressure is the key point in a compressed air system. This makes it crucial to keep the pressure at a constant and reliable level. Monitoring and measuring the compressed air pressure is needed to save energy, identify degrading at an early stage and keep production machinery running.

SUTO pressure transmitters are made to seamlessly integrate into your compressed air monitoring system and provide reliable measurement results.

### Available in three Ranges

- 0 ... 1.6 MPa(g)
- 0 ... 4.0 MPa(g)
- 0 ... 0.16 MPa(abs.)

### Signal Output

The pressure sensor is offered as a 2-wire analog output version for easy connection.

For modern monitoring solutions, the Modbus/RTU version allows to easily connect multiple sensors to a single data logger.



**S010**

4 ... 20 mA

**S011**

Modbus/RTU

### Benefits

- ✓ High accurate and affordable industrial pressure transmitter
- ✓ Salt-spray, temperature and humidity tested
- ✓ IP67 protection
- ✓ 4 ... 20 mA loop powered or Modbus/RTU output

### Industrial equipment for manifold applications

- Hydraulic and pneumatic systems
- Industrial engines
- HVAC/R equipment
- Cooling systems

# Technical Data

## Measurement

### Pressure

Accuracy	±0.5 % F.S
Measuring range	0 ... 4.0 MPa
Response time (t90)	≤1 ms (@ 90 % F.S)

## Signal / Interface & Supply

### Analog output (for 4 ... 20 mA type)

Signal	4 ... 20 mA, (2-wire loop powered)
Load	Max. 250 Ohm

### Fieldbus (for Modbus/RTU type)

Protocol	Modbus/RTU
BUS-Length	≤ 1000 m

### Supply

Voltage supply	11 ... 36 VDC
Current consumption	Max. 20 mA

### Data interface

Connection	M12 Connector
------------	---------------

## General data

### Material

Process connection	Stainless steel 1.4301
Housing	Stainless steel 1.4301
Metal parts	Stainless steel 1.4301

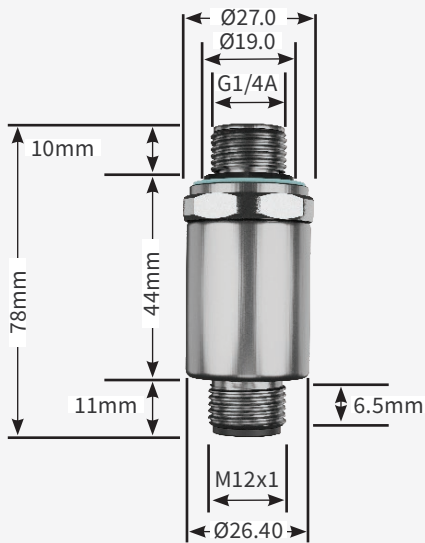
### Miscellaneous

Electrical connection	M12 Connector
Protection class	IP67
Approvals	CE
Process connection	G1/4" (ISO 228/1)

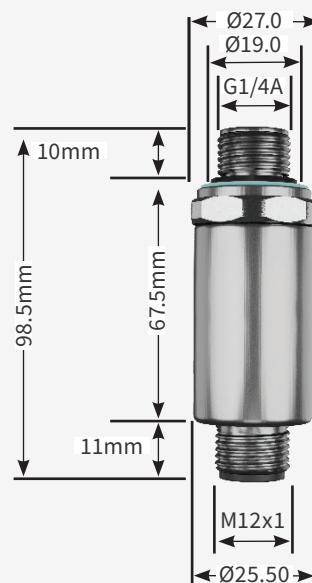
### Operating conditions

Medium temperature	-40 ... +85 °C
Ambient temperature	-40 ... +85 °C
Storage temperature	-40 ... +125 °C

## S010 Dimensions (4 ... 20 mA Type)



## S011 Dimensions (Modbus/RTU Type)



# Ordering

Please use the following tables to assist in placing your order with our sales staff.

## S010 Pressure Transmitter (4 ... 20 mA)

Order No.	Description
S694 3557	Pressure Transmitter, 0 ... 1.6 MPa(g), 2-wire 4 ... 20 mA output, incl. M12 connector, G1/4" thread
S694 3558	Pressure Transmitter, 0 ... 4.0 MPa(g), 2-wire 4 ... 20 mA output, incl. M12 connector, G1/4" thread
S694 2564	Pressure Transmitter, 0 ... 0.16 MPa(a), 2-wire 4 ... 20 mA output, incl. M12 connector, G1/4" thread
A553 0104	Sensor cable 5 m, with M12 connector, open wires, AWG 24 (0.2 mm <sup>2</sup> )
A553 0105	Sensor cable 10 m, with M12 connector, open wires, AWG 24 (0.2 mm <sup>2</sup> )
R200 0030	Pressure Transmitter calibration at 3 points

## S011 Pressure Transmitter (Modbus/RTU)

Order No.	Description
S694 2559	Pressure Transmitter, 0 ... 1.6 MPa(g), Modbus/RTU, incl. M12 connector, G1/4" thread
S694 2562	Pressure Transmitter, 0 ... 4.0 MPa(g), Modbus/RTU, incl. M12 connector, G1/4" thread
S694 2563	Pressure Transmitter, 0 ... 0.16 MPa(a), Modbus/RTU, incl. M12 connector, G1/4" thread
A553 0104	Sensor cable 5 m, with M12 connector, open wires, AWG 24 (0.2 mm <sup>2</sup> )
A553 0105	Sensor cable 10 m, with M12 connector, open wires, AWG 24 (0.2 mm <sup>2</sup> )
R200 0030	Pressure Transmitter calibration at 3 points



[www.suto-itec.com](http://www.suto-itec.com)



[sales@suto-itec.com](mailto:sales@suto-itec.com)