

S020

Temperature Transmitter



Two Versions

The compact sensor solution with 4 ... 20 mA output available in 2 sizes

Industrial Equipment for manifold Applications

The temperature transmitter is a sensor which is designed to measure the temperature of liquid, vapour, compressed air and gases within the permissible operating parameters.

- Measure the inlet / outlet temperature of dryers
- Measure the outlet temperature of compressors

Benefits

- ✓ High accurate and affordable industrial temperature sensor
- ✓ Easy installation in compressed air systems
- ✓ 4 ... 20 mA transmitter
- ✓ Wide range of -50... +250 °C

Compression Fitting



There are different types of compression fittings available:

- Compression fitting 6mm, G1/2", PTFE ring, 0.6 MPa
- Compression fitting 6mm, G1/2", metal ring, 1.6 MPa

Technical Data

Measurement

Temperature

Accuracy	0.5 % o.RGD + 0.2 % FS
Measuring range	-50 ... +200 °C
Sensor	PT 1000 Class A

Signal / Interface & Supply

Analog output

Signal	4 ... 20 mA, (2 wire loop powered)
Scaling	4 mA = -50 °C, 20 mA = +200 °C
Load	Max 250 Ohm

Supply

Voltage supply	16 ... 30 VDC
Current consumption	Max. 20 mA

Data interface

Connection	M12 connector
------------	---------------

General data

Material

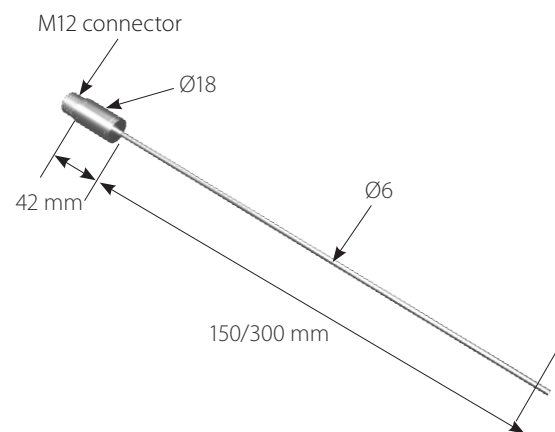
Process connection	Stainless steel 1.4571
Housing	Stainless steel 1.4571
Metal parts	Stainless steel 1.4571

Miscellaneous

Electrical connection	M12 connector
Protection class	IP65
Approvals	CE
Process connection	6 mm Fitting / G 1/2"
Weight	0.08 kg

Operating conditions

Ambient temperature	-40 ... +90 °C
---------------------	----------------



Ordering

Please use the following table to assist in placing your order with our sales staff.

S020 Temperature Transmitter

Order No.	Description
S693 0003	Temperature Transmitter, -50 ... +200 °C, 4 ... 20 mA loop powered, 6 x 150 mm sensor tube
S693 0004	Temperature Transmitter, -50 ... +200 °C, 4 ... 20 mA loop powered, 6 x 300 mm sensor tube
A554 6003	Compressor fitting 6 mm, G1/2", PTFE ring, 0.6 MPa
A554 6004	Compressor fitting 6 mm, G1/2", metal ring, 1.6 MPa
A553 0104	Sensor cable, 5 m with M 12 connector, open wires, AWG 24 (0.2 mm ²)



www.suto-itec.com



sales@suto-itec.com