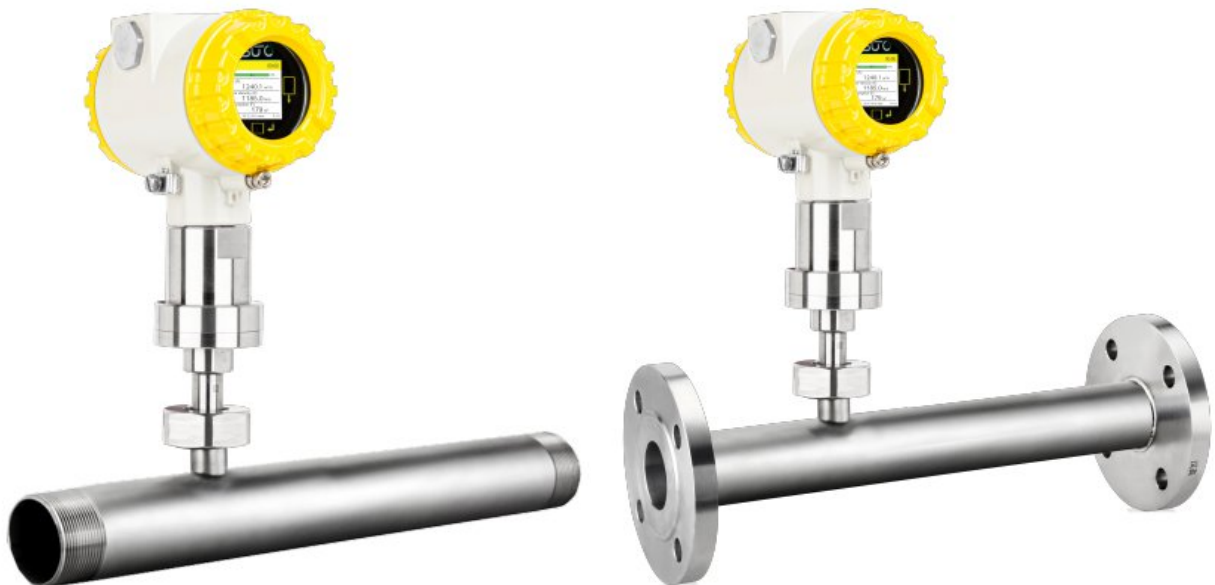


## Instruction and Operation Manual

# S453

### Thermal Mass Flow Meter for Heavy Duty and Ex Applications (Inline)



Dear Customer,

Thank you for choosing our product.

Please read the operating instructions in full and carefully observe them before starting up the device. The manufacturer cannot be held liable for any damage that occurs as a result of non-observance or non-compliance with this manual.

Should the device be tampered with in any manner other than a procedure that is described and specified in the manual, the warranty is void and the manufacturer is exempt from liability.

The device is designed exclusively for the described application.

SUTO iTEC offers no guarantee of the suitability for any other purpose. SUTO iTEC is also not liable for consequential damage resulting from the delivery, capability, or use of this device.

Revision: 2025-2



Last modifications: March, 2025

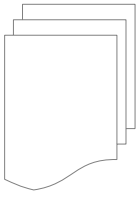
## Table of Contents

1	Safety Instructions.....	5
2	Registered Trademarks.....	7
3	RF Exposure Information and Statement.....	8
4	Application.....	9
5	Features.....	10
6	Technical Data.....	11
6.1	Measurement.....	11
6.2	Output Signal/ Interface and Supply.....	12
6.3	General Data .....	13
6.4	Flow Ranges .....	14
7	Dimensional Drawing.....	15
7.1	Thread Type.....	15
7.2	Flange Type.....	16
8	Determine the Installation Point.....	18
8.1	Additional Inlet and Outlet Sections .....	18
9	Installation .....	24
9.1	Install the S453 .....	24
9.2	Remove the S453 .....	25
9.3	Re-install After Maintenance.....	25
9.4	Rotate the Display if Necessary.....	26
9.5	Electrical Connection .....	27
9.5.1	Connection diagram .....	27
9.5.2	Pin Assignment .....	28
10	Signal Outputs .....	29
10.1	Analog and Pulse Outputs .....	29
10.1.1	Analog Output.....	29
10.1.2	Pulse /Alarm Output .....	29
10.2	Modbus Interface.....	30
10.2.1	Channel value information .....	33
10.2.2	Specific Settings for Gas Flowmeters.....	36
10.3	Modbus/TCP Interface .....	38
10.3.1	Modbus/TCP over Single-Pair Ethernet.....	38
10.4	Connection between S453 Outputs and Customer Equipment...38	
11	Operation Using the Display.....	41
11.1	Information on the Display.....	41
11.1.1	Home Page.....	41
11.1.2	Icons Shown in the Status Bar.....	42
11.1.3	Alarm and Error Code.....	42
11.2	Operation.....	43
11.3	Menu Map.....	44
12	Configuration Using S4C-FS App.....	45

---

12.1 Configurable Parameters.....	45
12.2 Alarm Settings.....	46
12.3 Data Logger Settings.....	47
12.3.1 Configure Logger Parameters.....	47
12.3.2 View Data Graph.....	48
12.3.3 View Consumption Graph.....	49
12.3.4 Export Data in a File .....	49
12.4 Use the Service App S4C-FS.....	51
13 Calibration.....	52
14 Maintenance.....	52
15 Disposal or Waste.....	52
16 Appendix – Flow Conditioner.....	53
16.1 Dimension.....	53
16.2 Installation.....	54
16.3 Ordering Information.....	55

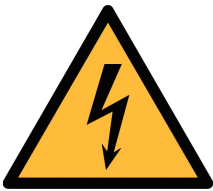
## 1 Safety Instructions



**Please check if this instruction manual matches the product type.**

Please observe all notes and instructions in this manual. It contains essential information that must be observed before and during installation, operation and maintenance. Therefore this instruction manual must be read carefully by the technician as well as by the responsible user or qualified personnel.

This instruction manual must be available at the operation site of the flow sensor at any time. In case of any obscurities or questions, regarding this manual or the product, please contact the manufacturer.



### **WARNING!**

#### **Compressed air!**

**Any contact with quickly escaping air or bursting parts of the compressed air system can lead to serious injuries or even death!**

- Do not exceed the maximum permitted pressure range (see sensors label).
- Only use pressure-tight installation material.
- Avoid that persons get hit by escaping air or bursting parts of the instrument.
- The system must be pressureless during maintenance work.



### **WARNING!**

#### **Voltage used for supply!**

**Any contact with energized parts of the product, may lead to a electrical shock which can lead to serious injuries or even death!**

- Consider all regulations for electrical installations.
- The system must be disconnected from any power supply during maintenance work.
- Any electrical work on the system is only allowed by authorized qualified personnel.

**ATTENTION!****Permitted operating parameters!**

**Observe the permitted operating parameters, any operation exceeding parameters can lead to malfunctions and may lead to damage to the instrument or the system.**

- Do not exceed the permitted operating parameters.
- Make sure the product is operated within its permitted limitations.
- Do not exceed or undercut the permitted storage and operation temperature and pressure.
- The product should be maintained and calibrated frequently, at least annually.

**General safety instructions**

- It is allowed to use the product in explosive areas. Please contact the manufacturer.
- Please observe the national regulations before/during installation and operation.

**Remarks**

- It is not allowed to disassemble the product.
- Always use a spanner to mount the product properly.

**ATTENTION!****Measurement values can be affected by malfunction!**

**The product must be installed properly and frequently maintained, otherwise it may lead to wrong measurement values, which can lead to wrong results.**

- Always observe the direction of the flow when installing the sensor. The direction is indicated on the housing.
- Do not exceed the maximum operation temperature at the sensor tip.
- Avoid condensation on the sensor tip as this will affect the accuracy enormously.

## Storage and transportation

- Make sure that the transportation temperature of the sensor without display is between -30 ... +70°C.
- For transportation it is recommended to use the packaging which comes with the sensor.
- Avoid direct UV and solar radiation during storage.
- For the storage the humidity must be <90% with no condensation.

## 2 Registered Trademarks

SUTO®	Registered trademark of SUTO iTEC
MODBUS®	Registered trademark of the Modbus Organization, Hopkinton, USA
Android™, Google Play	Registered trademarks of Google LLC

### 3 RF Exposure Information and Statement

This equipment complies with FCC RF radiation exposure limits set forth for an uncontrolled environment. This equipment should be installed and operated with minimum distance of 20 cm between the radiator and your body.

This device complies with part 15 of the FCC rules. Operation is subject to the following two conditions: (1) this device may not cause harmful interference, and (2) this device must accept any interference received, including interference that may cause undesired operation.

**NOTE:** The manufacturer is not responsible for any radio or TV interference caused by unauthorized modifications to this equipment. Such modifications could void the user's authority to operate the equipment.

**NOTE:** This equipment has been tested and found to comply with the limits for a Class B digital device, pursuant to part 15 of the FCC Rules. These limits are designed to provide reasonable protection against harmful interference in a residential installation. This equipment generates uses and can radiate radio frequency energy and, if not installed and used in accordance with the instructions, may cause harmful interference to radio communications. However, there is no guarantee that interference will not occur in a particular installation. If this equipment does cause harmful interference to radio or television reception, which can be determined by turning the equipment off and on, the user is encouraged to try to correct the interference by one or more of the following measures:

- Reorient or relocate the receiving antenna.
- Increase the separation between the equipment and receiver.
- Connect the equipment into an outlet on a circuit different from that to which the receiver is connected.
- Consult the dealer or an experienced radio/TV technician for help
- This device and its antenna(s) must not be co-located or operating in conjunction with any other antenna or transmitter.



## 4 Application

The S453 Thermal Mass Flow Meter is designed for two scenarios:

- Normal environments  
The S453 is referred to as the non-Ex version in this case.
- Harsh and hazardous environments  
The S453 is referred to as the Ex-version in this case.

This manual is applicable to both versions. For the explosion-specific instructions and certifications, you can see the *Explosion-Proof Certification Manual* by scanning the QR code



or clicking the link [Explosion-Proof Certification Manual](#)

The S453 is mainly used to measure compressed air and process gases. It can also be used for vacuum application. The S453 can measure the following parameters:

- Volumetric flow, mass flow, or actual flow
- Velocity
- Consumption
- Pressure
- Temperature

For the compressed air application, the default factory settings are Velocity in m/s, Volumetric flow in  $\text{Sm}^3/\text{h}$  and Consumption in  $\text{Sm}^3$ , pressure in bar, and temperature in  $^{\circ}\text{C}$ . Other units can be programmed through the local display or the service application S4C-FS.




For the vacuum application, the factory settings are velocity in m/s, vacuum flow in  $\text{m}^3/\text{h}$  and consumption in  $\text{m}^3$ , pressure in bar, and temperature in  $^{\circ}\text{C}$ .

## 5 Features

- Mass flow measurements to determine mass flow, standard flow, consumption, pressure, and temperature
- Rugged metal housing for use in outdoor areas and hazardous environments
- Easy access to the stored measurement data via the integrated data logger using the free S4C-FS smart-phone app
- All components in contact with the medium are made of stainless steel or nickel-plated metal
- Mechanical design with no moving parts for clog-free operation
- Wireless interface to mobile app S4C-FS for on-site sensor settings
- Display showing actual measurement values and status information
- Integrated with the data logger, allowing you to view the graphic of data and readout measurement data
- Vacuum application for actual flow measurements

## 6 Technical Data

### 6.1 Measurement

   Contains FCC ID: 2ABN2-BG22B1	
<b>Flow</b>	
Accuracy*	$\pm 1.5\%$ of reading $\pm 0.3\%$ full scale * The specified accuracy is valid only within the minimum and maximum flow rates that are stated in section 6.4.
Selectable unit	Standard flow unit: $\text{Sm}^3/\text{h}$
	Available units: $\text{Sm}^3/\text{min}$ , $\text{Sl}/\text{min}$ , $\text{Sl}/\text{s}$ , $\text{Scfm}$ , $\text{kg}/\text{h}$ , $\text{kg}/\text{min}$ , $\text{kg}/\text{s}$ , $\text{Nm}^3/\text{min}$ , $\text{NI}/\text{min}$ , $\text{NI}/\text{s}$ , $\text{Ncfm}$ , $\text{m}^3/\text{min}$ , $\text{l}/\text{min}$ , $\text{l}/\text{s}$ , $\text{cfm}$
	Standard velocity unit: $\text{m}/\text{s}$
Measuring range	$0 \dots 30 \text{ m}/\text{s}$ (low range calibration and vacuum version) $0 \dots 120 \text{ m}/\text{s}$ (standard range calibration) $0 \dots 240 \text{ m}/\text{s}$ (max range calibration) (See section 6.4 for flow measurement ranges in different tube diameters) * $\text{m}/\text{s}$ : standard meter per second
Repeatability	0.25% of reading
Principle of measurement	Thermal mass flow
Sensor	Resistive sensor
Sampling rate	3 samples/sec
Turndown ratio	200:1
Response time ( $t_{90}$ )	0.5 sec
<b>Consumption</b>	
Selectable units	$\text{Sm}^3$ , $\text{Sl}$ , $\text{Scf}$ , $\text{kg}$ , $\text{Nm}^3$ , $\text{NI}$ , $\text{Ncf}$ $\text{m}^3$ , $\text{l}$ , $\text{cf}$
<b>Pressure</b>	
Accuracy	0.5% FS
Selectable unit	bar, psi, kPa, MPa
Measuring range	0 ... 0.2 MPa (option A1565)

	0 ... 1.6 MPa(g) (option A1558) 0 ... 4.0 MPa(g) (option A1559)
Sensor	Piezzo resistive sensor
<b>Temperature</b>	
Accuracy	0.5°C
Selectable unit	°C, °F
Measuring range	-40 ... +140°C
Sensor	Pt1000
<b>Reference conditions</b>	
Selectable conditions	ISO1217, 20°C, 1000 mbar (Standard-Unit) DIN1343, 0°C, 1013.25 mbar (Norm-Unit) Freely adjustable <b>Note:</b> For the vacuum version, the reference condition cannot be selectable, and it is set ex factory to 20°C and 1000 hPa.

**Note:** The total consumption value is saved to the permanent memory every 5 minutes. If within these 5 minutes the device is powered off, it will restore the last consumption value which was saved in the last cycle.

## 6.2 Output Signal/ Interface and Supply

<b>Analog output</b>	
Signal	2 x 4 ... 20 mA (4-wire), isolated
Scaling	0 ... max flow, freely adjustable
Load	Max. 400 Ohm
Update rate	Value updated every 1 sec
<b>Pulse/Alarm output</b>	
Signal	Switch output, normally open, max. 30 VDC, 200 mA
Scaling	1 pulse per consumption unit (selectable)
Alarm	Channel and threshold freely settable
<b>Fieldbus</b>	
Protocol	Modbus/RTU Modbus/TCP over single-pair Ethernet

<b>Power supply</b>	
Voltage, current, consumption	16 ... 30 VDC <ul style="list-style-type: none"> <li>• 300 mA, 7 W (heater off)</li> <li>• 400 mA, 9.5 W (heater on)</li> </ul>

### 6.3 General Data

<b>Configuration</b>	
Wireless	S4C-FS App for Android and iOS
Others	3 optical keys at the display
<b>Display</b>	
Integrated	Color graphics display
<b>Material</b>	
Process connection	Stainless steel 1.4404 (SUS 3 16L)
Housing material	Al alloy
Sensor	Stainless steel 1.4404 (SUS 3 16L), 4J50 nickel-plated, glass
Metal parts	Stainless steel 1.4404 (SUS 3 16L)
<b>Miscellaneous</b>	
Electrical connection	Screw terminals
Protection class	IP67, IP65 (Ex version)
Approvals	CE, RoHS, FCC, Ex-Options
Process connection	Measuring section with R-thread or Flange
Weight	1.86 kg
<b>Operating conditions</b>	
Measured medium	Air, N <sub>2</sub> , O <sub>2</sub> , CO <sub>2</sub> and other non-corrosive gases
Medium humidity	< 90%, no condensation
Operating pressure	0 ... 0.2 MPa (option A1565) 0 ... 1.6 MPa(g) (option A1558) 0 ... 4.0 MPa(g) (option A1559)
Ambient temperature	-40 ... +55°C (Ex Version) -40 ... +65°C
Storage temperature	-40 ... +70°C
Transport temperature	-40 ... +70°C

Medium temperature	-30 ... +90°C (Ex Version) -30 ... +140°C
Tube diameter	DN25 ... DN80

### 6.4 Flow Ranges

The flow ranges are stated under the following conditions:

- Standard flow in air
- Reference pressure: 1000 hPa
- Reference Temperature: +20°C

Diameter			Low	Standard	Max
		(mm)	(Sm <sup>3</sup> /h)	(Sm <sup>3</sup> /h)	(Sm <sup>3</sup> /h)
DN25	1"	27.3	0.2 ... 48	0.8 ... 191	1.5 ... 382
DN32	1¼"	36.0	0.3 ... 86	1.4 ... 345	2.8 ... 689
DN40	1½"	41.9	0.5 ... 119	1.9 ... 475	3.8 ... 949
DN50	2"	53.1	0.8 ... 194	3.1 ... 777	6.2 ... 1,554
DN65	2½"	68.9	1.3 ... 332	5.3 ... 1,329	N/A
DN80	3"	80.9	1.8 ... 461	7.4 ... 1,843	N/A

**Note:** The vacuum application can only use the low rang measurement. To calculate flow ranges based on pipe and reference conditions in your site, SUTO ITEC offers the "Flow range calculator" tool for free. The tool can be used online from <http://www.suto-itec.com> by clicking **Support > Flow Range Calculator**.

— SENSOR SELECTION

Sensor Type  
S451 ▼

Measuring section  
  ▼

Measuring range  
Standard ▼

Pipe inner diameter  
54.0

— CALCULATOR OUTPUTS

Max. flow **804** **Sm<sup>3</sup>/h**

---

Min. flow **3.2** **Sm<sup>3</sup>/h**

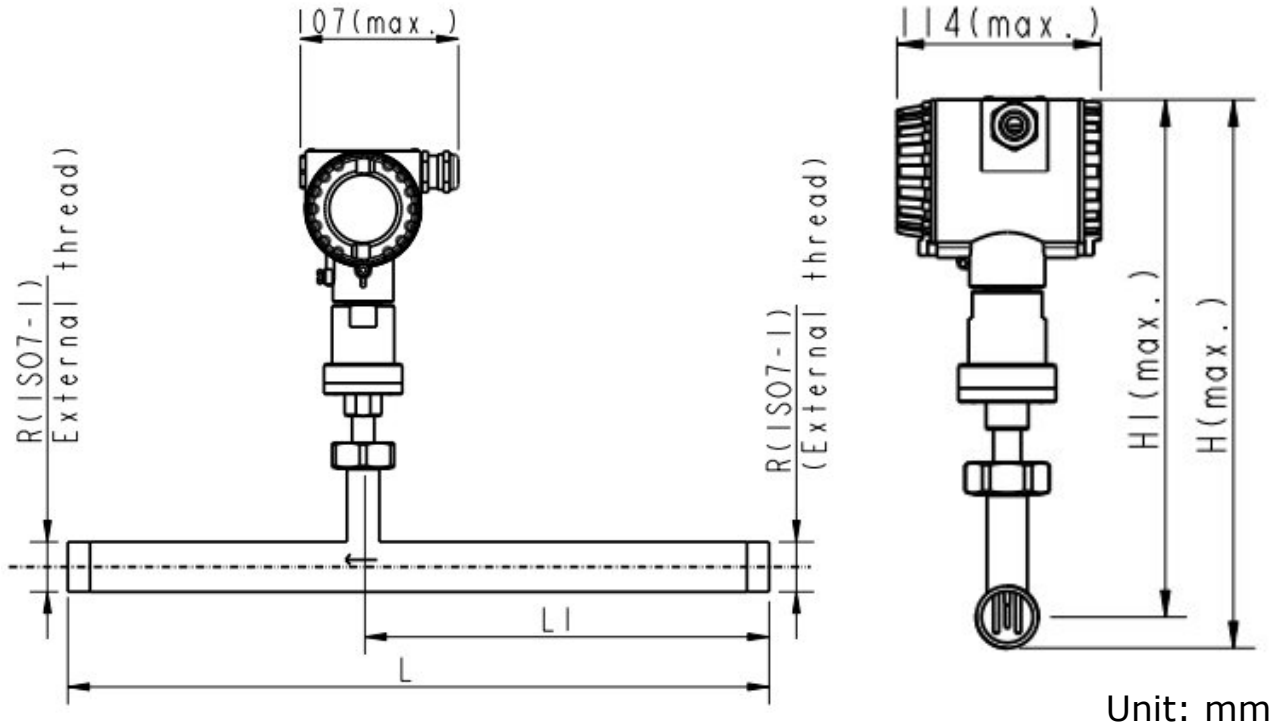
---

Max. velocity 120.0 Sm/s

---

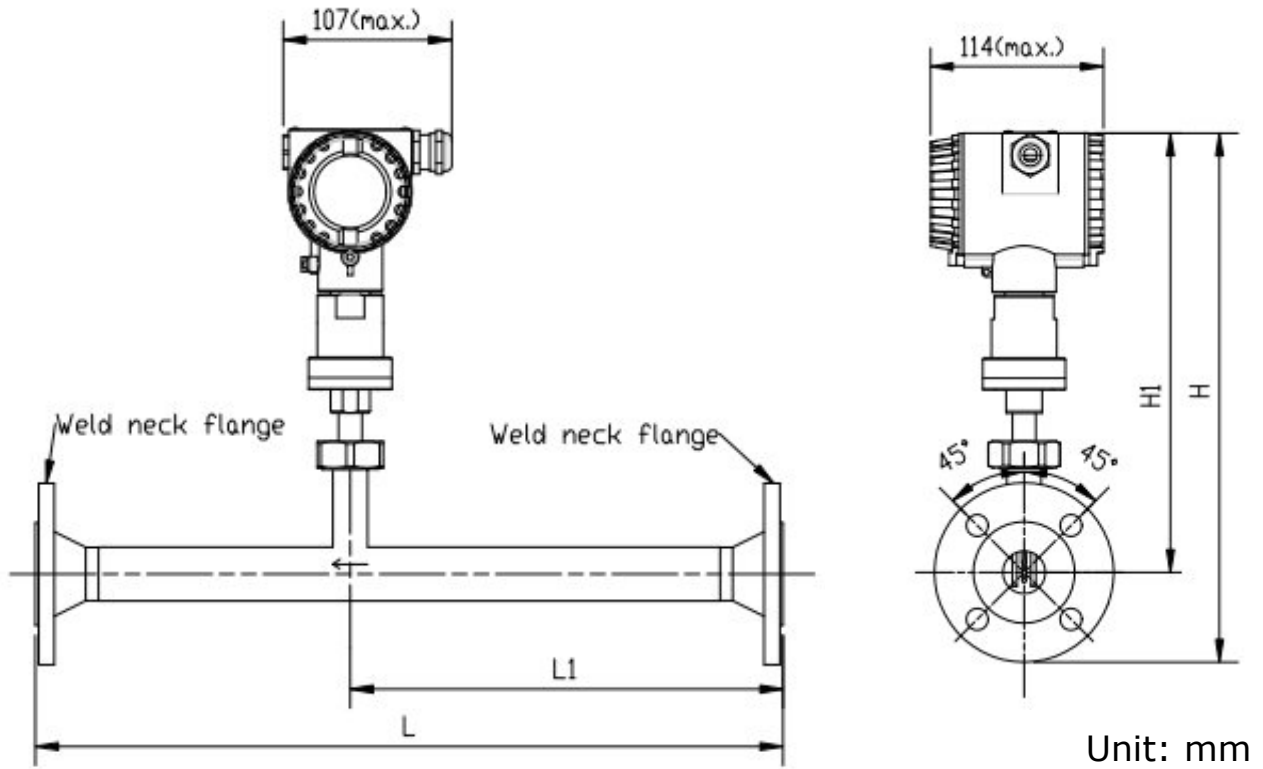
## 7 Dimensional Drawing

### 7.1 Thread Type



Pipe nominal size inch (DN)	L total length (mm)	L1 inlet length (mm)	H total height (mm)	H1 from pipe center to casing top (mm)	R External Thread
1" (DN25)	475	275	299	282	R 1"
1¼" (DN32)	475	275	303	282	R 1¼"
1½" (DN40)	475	275	306	282	R 1½"
2" (DN50)	475	275	312	282	R 2"
2½" (DN65)	475	275	320	282	R 2½"
3" (DN80)	475	275	326.5	282	R 3"

## 7.2 Flange Type



Pipe nominal size inch (DN)	L total length (mm)	L1 inlet length (mm)	H total height (mm)	H1 from pipe center to casing top (mm)	Flange (EN 1092-1 PN40)		
					ØD (mm)	ØK (mm)	n x ØL (mm)
1" (DN25)	475	275	339.5	282	115	85	4xØ14
1¼" (DN32)	475	275	352	282	140	100	4xØ18
1½" (DN40)	475	275	357	282	150	110	4xØ18
2" (DN50)	475	275	364.5	282	165	125	4xØ18
2½" (DN65)	475	275	374.5	282	185	145	8xØ18
3" (DN80)	475	275	382	282	200	160	8xØ18



Pipe nominal size inch (DN)	L total length (mm)	L1 inlet length (mm)	H total height (mm)	H1 from pipe center to casing top (mm)	Flange (ANSI/B16.5 Class 300)		
					ØD (mm)	ØK (mm)	n x ØL (mm)
1" (DN25)	475	275	339.5	282	123.9	88.9	4xØ19
1¼"(DN32)	475	275	352	282	133.3	98.5	4xØ19
1½"(DN40)	475	275	357	282	155.4	114.3	4xØ22.3
2" (DN50)	475	275	364.5	282	165.1	127	4xØ19
2½"(DN65)	475	275	374.5	282	190.5	149.3	8xØ22.3
3" (DN80)	475	275	382	282	209.5	168.1	8xØ22.3

## 8 Determine the Installation Point

To maintain the accuracy stated in the technical data, the flow meter must be inserted in the center of a straight pipe section with unhindered flow characteristics.

Unhindered flow characteristics are achieved if the section in front of the flow meter (inlet) and behind the flow meter (outlet) are sufficiently long, absolutely straight, and free of obstructions such as edges, seams, curves, and so on.

Please consider that enough space exists at your site for an adequate installation as described in this manual.



### **ATTENTION!**

**A wrong measurement is possible if the flow meter is not installed correctly.**

- Pay attention to the design of the inlet and outlet section. Obstructions can cause counter-flow turbulence as well as turbulence in the direction of the flow.
- It is strongly recommended not to install S453 permanently in wet environment which exists usually right after a compressor outlet.

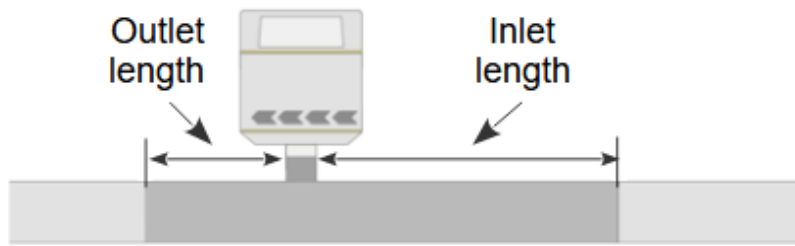
### 8.1 Additional Inlet and Outlet Sections

The thermal measuring principle is sensible to inlet and outlet conditions. It is recommended that the following minimum straight inlet and outlet sections must be maintained to ensure an accurate measurement.

Flow meters should be always installed upstream from obstacles such as valves, filter, reductions etc. In common the device should be installed as far as possible away from any disturbances.

The S453 comes with a straight inlet and outlet sections. Nevertheless, depending on the installation conditions, additional straight inlet and outlet sections must be added to the measuring section to meet the minimum inlet requirements.

The length of the additional inlet and outlet sections depend on the pipe inner diameter, inlet length, and outlet length.



Inlet length and outlet length indicate the straight inlet section and outlet section equipped on the S453.

Pipe size	DN25	DN32	DN40	DN50	DN65	DN80
Pipe inner diameter (mm)	27.3	36.0	41.9	53.1	68.9	80.9
Inlet length (mm)	275.0	275.0	275.0	275.0	275.0	275.0
Outlet length (mm)	200.0	200.0	200.0	200.0	200.0	200.0

Refer to the installation types below and select your additional straight inlet and outlet sections from the table. These must be taken into account on site during installation.

**1. Slight curve (bend < 90°)**

$A = 15 \times \text{Inner diameter} - \text{Inlet length}$

$B = 5 \times \text{Inner diameter} - \text{Outlet length}$

A: additional straight inlet section      B: additional straight outlet section



Pipe size	DN25	DN32	DN40	DN50	DN65	DN80
A (mm)	130	270	350	520	760	940
B (mm)	0	0	10	70	140	200

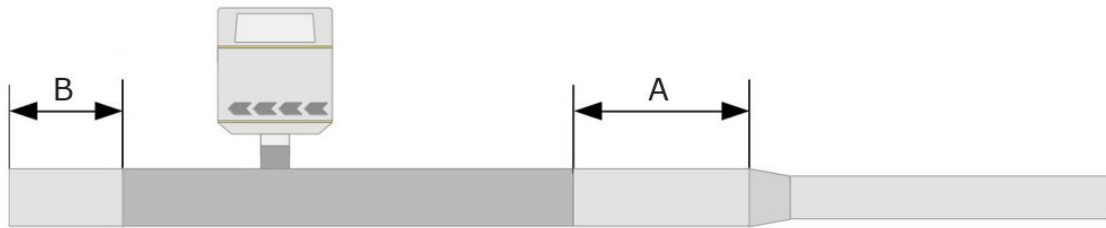
**2. Expansion, reduction, and the 90° bend**

A = 20 x Inner diameter – Inlet length

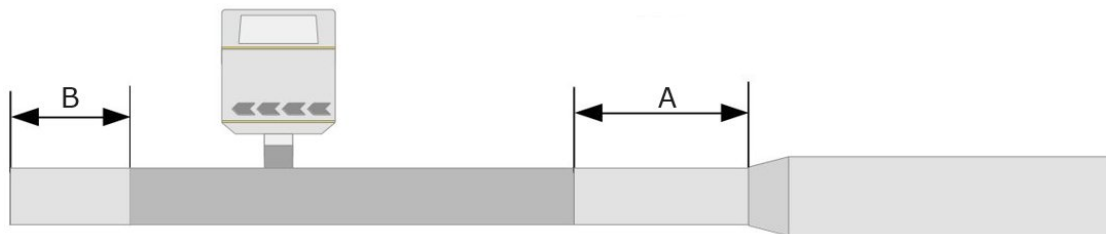
B = 5 x Inner diameter – Outlet length

A: additional straight inlet section    B: additional straight outlet section

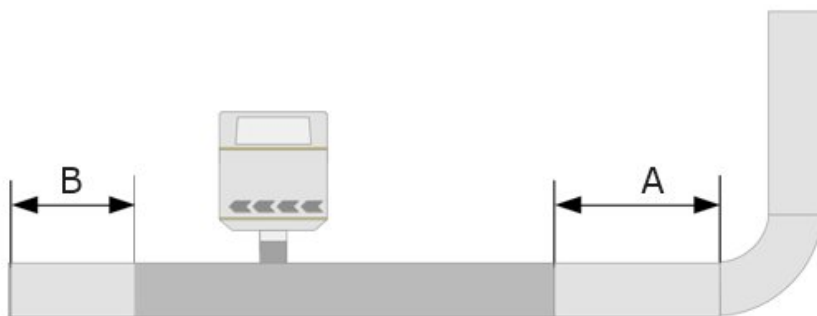
Expansion



Reduction



90° bend



Pipe size	DN25	DN32	DN40	DN50	DN65	DN80
A (mm)	270	450	560	790	1100	1340
B (mm)	0	0	10	70	140	200

### 3. 2 X 90° bend and T-piece

A = 25 x Inner diameter – Inlet length

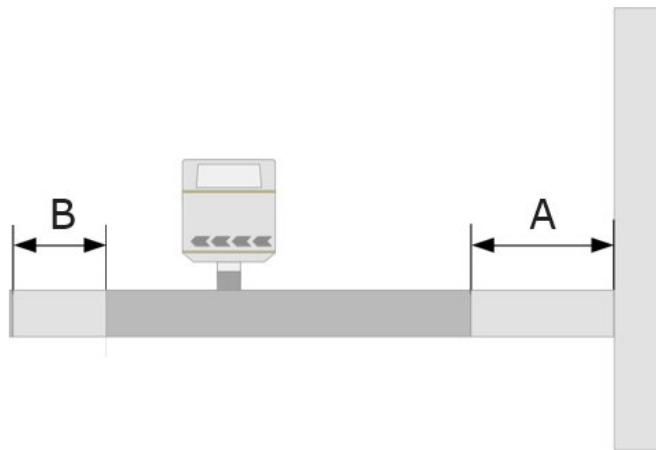
B = 5 x Inner diameter – Outlet length

A: additional straight inlet section    B: additional straight outlet section

2 x 90° bend



T-piece



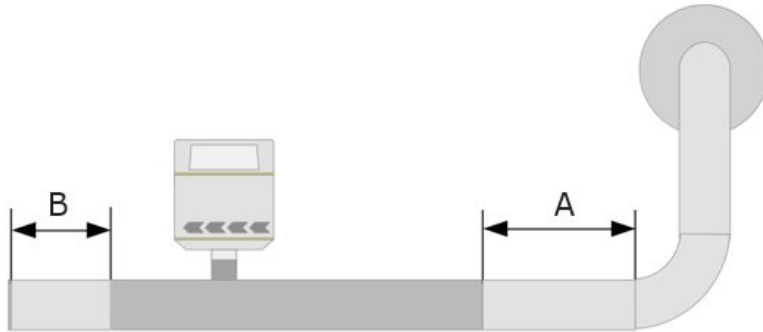
Pipe size	DN25	DN32	DN40	DN50	DN65	DN80
A (mm)	410	630	770	1050	1450	1750
B (mm)	0	0	10	70	140	200

**4. 3 dimensional bend**

A = 40 x Inner diameter – Inlet length

B = 5 x Inner diameter – Outlet length

A: additional straight inlet section    B: additional straight outlet section



Pipe size	DN25	DN32	DN40	DN50	DN65	DN80
A (mm)	820	1170	1400	1850	2480	2960
B (mm)	0	0	10	70	140	200

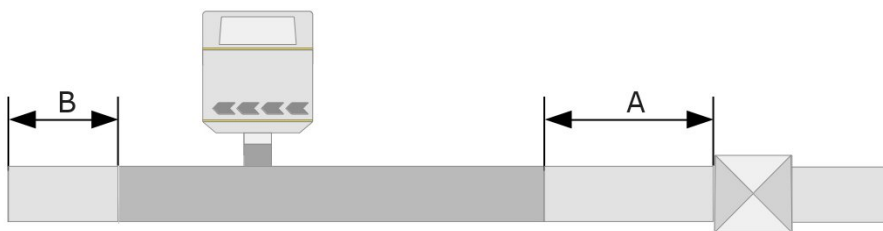
**5. Shut-off valve and filter or similar (unknown objects)**

A = 50 x Inner diameter – Inlet length

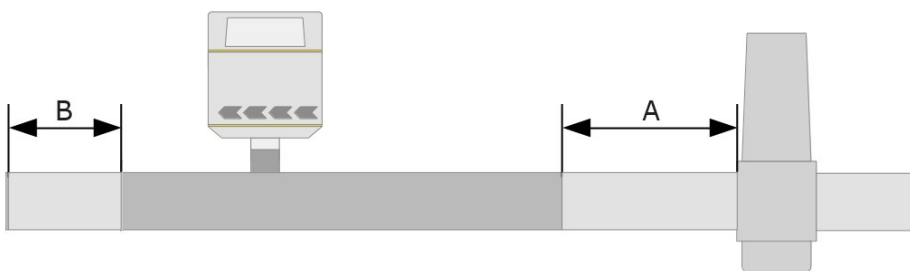
B = 5 x Inner diameter – Outlet length

A: additional straight inlet section    B: additional straight outlet section

Shut-off valve



Filter or similar (unknown objects)



Pipe size	DN25	DN32	DN40	DN50	DN65	DN80
A (mm)	1090	1530	1820	2380	3170	3770
B (mm)	0	0	10	70	140	200

**Notes:**

- If there is any combination of the situations above, the longest straight inlet section must be maintained.
- The length of inlet and outlet sections described in the table above are minimum requirement; longer inlet sections are preferable. That is, if it is possible to achieve a longer straight inlet section than the minimum specified during installation, this is preferable.
- When the required straight inlet section cannot be achieved, it is recommended to add a flow conditioner at the inlet of the flow meter to obtain an optimum flow profile. For introduction of the flow conditioner, see Appendix – Flow Conditioner.

## 9 Installation

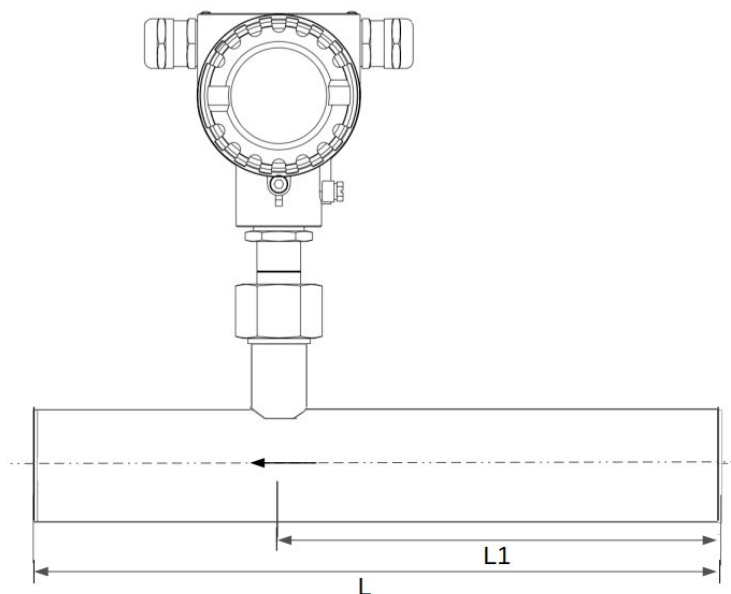
Before installing the flow meter, make sure that all components listed below are included in your package.

Qty	Description	Part no.
1	S453 Thermal Mass Flow Meter (Inline Type), including Display, Data Logger, Flow Medium 1: Air	S695 4530
1	Sealing ring	No P/N
1	Measuring section	A1301 ... A1306 (R thread) A1321 ... A1328 (Flange, EN-1092-1) A1341 ... A1348 (Flange, ANSI 16.5)
1	Instruction manual	No P/N
1	Calibration certificate	No P/N

### 9.1 Install the S453

The S453 is shipped with the mounted measurement section. When installing the device, please make sure the following:

- The flow direction indicated on the S453 housing is consistent with the flow direction of the compressed air or gas.
- The gas flows from the inlet (long pipe section) to the outlet (short pipe section) as illustrated in the picture below.





**Note:** The S453 can be installed in any orientation (horizontal, vertical, side and upside-down). Please consider the needed straight inlet and outlet sections described in section 8.1 Additional Inlet and Outlet Sections .

## 9.2 Remove the S453



### ATTENTION!

**Only remove the flow meter if the system is in a pressure-less condition.**



1. Hold the S453.
2. Release the terminal nut at the connection thread.
3. Pull out the shaft slowly.
4. The measuring section can be closed with the optional closing cap so the system can work normally during maintenance.

## 9.3 Re-install After Maintenance

- The re-installation of the measurement device is simple because the S453 fits into the pipe section only in one position.
- Make sure that the O-shaped sealing ring is installed.
- Tighten the terminal nut to secure the S453.

## 9.4 Rotate the Display if Necessary

When the S453 is shipped from the factory, the default display direction is opposite to the forward gas flow direction. However, customers can rotate the display 180° according to actual needs.

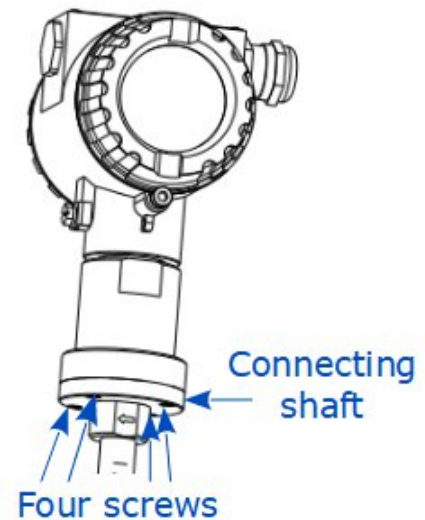
**Notes:** To ensure that the S453 works stably and reliably, it is recommended to rotate the display only 180° when it needs to be rotated.



### ATTENTION!

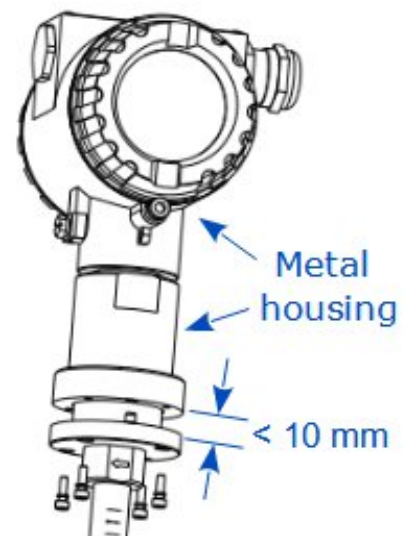
**The operation of the rotating the display must be performed strictly according to the following steps. Any other operations may cause damage to the product.**

1. Use a hex wrench to loosen and remove the four screws and spring washers under the connecting shaft.

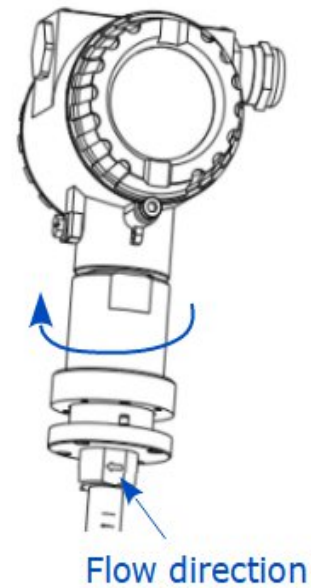


2. Take hold of the metal housing of the display unit and pull it slowly off the connecting shaft.

**Note:** To avoid damage to the internal wiring harness, the extraction length must be less than 10 mm.



3. Observe the flow direction marking on the measuring shaft and rotate the display housing by 180° in the direction of the gas flow.
4. **Note:** To prevent damage to the internal wiring harness, do not rotate it in the opposite direction or rotate it more than 180°.
5. Reassemble the metal housing onto the connecting shaft, ensuring the seal is in the seal groove of the connecting shaft.
6. Use a hex wrench to re-lock the 4 screws and spring washers.



**Note:** The lock washers must be fitted to prevent the product from coming loose.

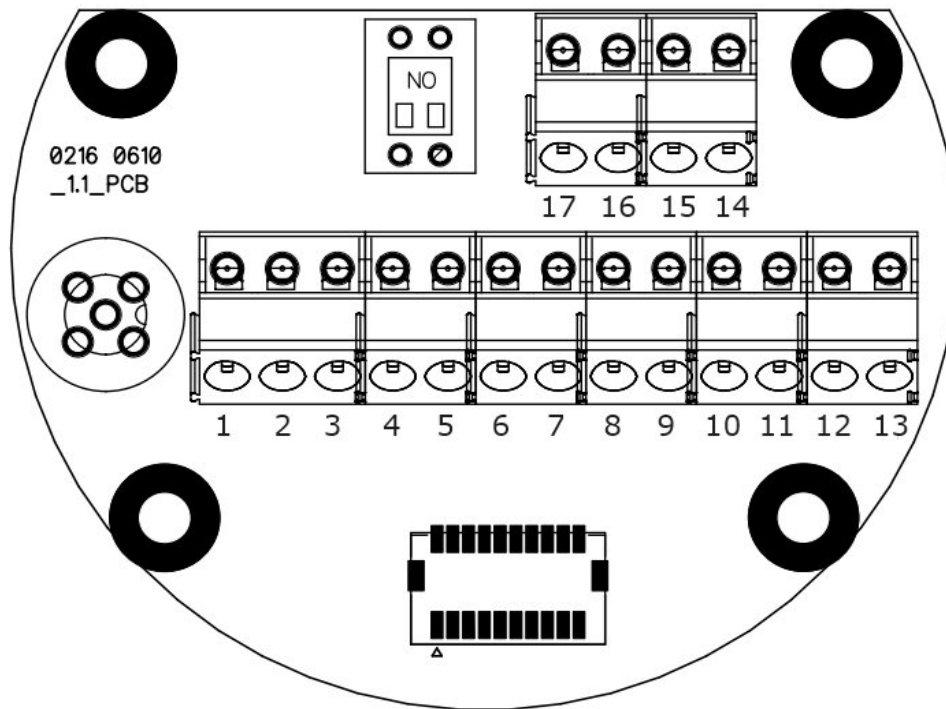
## 9.5 Electrical Connection

When installing the cables please consider following points:

- Keep the stripped and twisted length of the cable shield as short as possible.
- Screen and ground the signal lines.
- Unused cable entries must be closed with closers.
- The cable outer diameter should be between 6 and 8 mm.
- Single wire cross section area must be between 0.25 ... 0.75 mm<sup>2</sup>.
- The thread size for the cable glands is M20 / 1.5.

### 9.5.1 Connection diagram

Remove the back cover from the S453, and the pin layout is shown below.



### 9.5.2 Pin Assignment

The S453 provides 2 connection options. The pin assignment of these options is given in the following table.

Pin	Output options		Remarks
	Modbus/RTU	Modbus/TCP	
1	Earth	Earth	
2	GND_SDI	GND_SDI	
3	+V <sub>B</sub>	+V <sub>B</sub>	24 VDC power supply
4	-V <sub>B</sub>	-V <sub>B</sub>	
5	SDI	SDI	Digital interface SUTO iTEC sensor
6	D+	SPE_P	Modbus/RTU or Ethernet connection
7	D-	SPE_N	
8	GND	SPE_E	
9	+I <sub>1</sub>	+I <sub>1</sub>	4 ... 20 mA output 1
10	-I <sub>1</sub>	-I <sub>1</sub>	
11	+I <sub>2</sub>	+I <sub>2</sub>	4 ... 20 mA output 2

12	-I <sub>2</sub>	-I <sub>2</sub>	
13	Earth	Earth	
14	+Pulse/Alarm	+Pulse/Alarm	Pulse / Alarm output
15	-Pulse/Alarm	-Pulse/Alarm	
16	DIR	DIR	Flow Direction input
17	DIR	DIR	

## 10 Signal Outputs

### 10.1 Analog and Pulse Outputs

The S453 comes with 2 analog outputs and one pulse/alarm output. All signals are electrically isolated.

#### 10.1.1 Analog Output

The analog output is an active output.

Signal and load : 4 to 20mA, RL < 400 Ω

Uncertainty : < 0.3 % of reading

Resolution : 0.005 mA

Standard scaling is from 0 to max flow, as below.

Analog output	Output standard scaling
4 mA	0
20 mA	Max flow

In addition, the output supports variable flow. That is, the output can be scaled to match the desired measuring range. Specifically, users can correspond the 4 mA and 20 mA to any flow values separately.

#### 10.1.2 Pulse /Alarm Output

The pulse/alarm output is a Normal Open (NO) isolated switch. Please consider the right polarity.

Max. rating: 30 VDC, 200 mA

Pulse width: 10 ... 100 msec (depending on the flow rate)

#### Pulse output

The maximum number of pulses per second is limited to 49.

In case the flow rate is too high, the S453 cannot output the pulses with default settings (one pulse per consumption unit). In this case, you can set the pulse to 1 pulse per 10 consumption units or 1 pulse per 100 consumption units, using the S4C-FS service app.

Example: With the setting of 1 pulse per 10 m<sup>3</sup>, the device sends one pulse each 10 m<sup>3</sup>.

### Alarm output

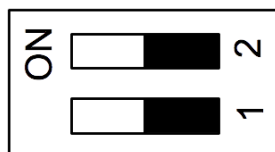
You can set alarms for the following channels:

- Flow(F)
- Actual Velocity(F)
- Temperature
- Flow(R)
- Actual Velocity(R)
- Pressure

For detailed settings, see the section 12.2 Alarm Settings.

## 10.2 Modbus Interface

The Modbus communication requires to activate terminal resistors at the last device on the bus system. If the S453 is the last device on the bus system, the DIP switches on the connector board should be set to the "ON" position.



Termination resistor switch

Device type	Slave
Address range	1 to 251 Bus address can be set through software
Physical interface	RS485 under EIA/TIA-485 standard
Baud rates	1200, 2400, 4800, 9600, 19200, 38400, 57600, 115200 Baud
Transm. mode	ASCII, RTU
Response time	Direct data access = 0 to 255 ms (configurable)

The default Modbus communication settings are shown below.

Mode	RTU
Baud rate	19200
Device address	Last two digits of serial number

Framing / parity / stop bit	8, N, 1
Response time	1 second
Response delay	0 ms
Inter-frame spacing	7 char

### Response message that the device returns to the master:

- Function code: 03

The information for the byte order is shown in the table below:

Byte Order	Sequence				Data Type
	1st	2nd	3rd	4th	
1-0-3-2	Byte 1 (MMMMMMMM*)	Byte 0 (MMMMMMMM *)	Byte 3 (SEEEEEEE)	Byte 2 (EMMMMMMM *)	FLOAT
1-0-3-2	Byte 1	Byte 0 LSB	Byte 3 MSB	Byte 2	UINT32 INT32
1-0	Byte 1 MSB	Byte 0 LSB	---	---	UINT16 INT16
1-0	Byte 1 XXX *	Byte 0 DATA	---	---	UINT8 INT8

\* S: Sign, E: Exponent, M: Mantissa, XXX: no value

### Explanations of MSB and LSB

**MSB** MSB refers to Most Significant Byte first, which follows the Big-Endian byte order.

For example, if the main system follows the MSB first order:

When the 4-byte floating number, in the order of Byte1-Byte0-Byte3-Byte2, is received from the slave (sensor), the master must change the byte order to Byte3-Byte2-Byte1-Byte0 for the correct display of the value.

**LSB** LSB refers to Least Significant Byte first, which follows the Little-Endian byte order.

For example, if the main system follows the LSB first order:

When the 4-byte floating number, in the order of Byte1-Byte0-Byte3-Byte2, is received from the slave (sensor), the master must change the byte order to Byte0-Byte1-Byte2-Byte3 for the correct display of the value.

**Remarks:** Modbus communication settings as well as other settings can be changed by **mobile app S4C-FS**.

## Modbus Holding Registers

Register address	Data type	Data Length	Channel description	R/W
<b>System information</b>				
2000	INT16U	2-Byte	Group ID: <b>1</b> (Occupying higher 4 bits in the 2-byte long data, the rest is reserved for future)	R
2001	INT16U	2-Byte	Device ID S451: 0x1013, S453 0x1014	R
2002	INT32U	4-Byte	Serial number	R
2004	INT16U	2-Byte	High byte FW version, Low byte HW version	R
2005	DOUBLE	8-Byte	Calibration date Format: BCD code, first byte is date, the second byte is month, the third byte is the first two digits of year, the fourth byte is last two digits of year. For example, 09.01.2024. the data is arranged as: 0x09, 0x01, 0x20, 0x24	R
2007	INT16U	2-Byte	Valid days from calibration date	R
2008	INT16U	2-Byte	Number of measuring channels	R
2009	string	16-Byte	Device name: "S451" or "S453"	R
<b>Settings</b>				
2100			Settings (max 50 holding register)	R/W
<b>Channel value information</b>				
2200	INT16U	2-Byte	Unit+Resolution+type of channel 1	R
2201	INT16U	2-Byte	Unit+Resolution+type of channel 2	R
...	...	...		
2207	INT16U	2-Byte	Unit+Resolution+type of channel 8	
...	...	...	Max 50 channels, depending on sensors	
<b>Status and Channel value</b>				
2300	INT16U	2-Byte	Status	R
2301	FLOAT / INT32U	2-Byte	Channel 1 Value	R
...	...	...		
2315	FLOAT / INT32U	2-Byte	Channel 8 value	R



### 10.2.1 Channel value information

#### Unit+Resolution+type

- First byte is for unit. The unit and its code are as below.

Parameter	Unit	Code
Temperature	°C	1
	°F	2
Velocity	m/s	10
	ft/min	11
Volumetric Flow	Sm <sup>3</sup> /h	14
	Sm <sup>3</sup> /min	15
	Sl/min	16
	Sl/s	17
	Scfm	18
	Nm <sup>3</sup> /h	19
	Nm <sup>3</sup> /min	20
	NI/min	21
	NI/s	22
	Ncfm	23

Parameter	Unit	Code
Consumption	Sm <sup>3</sup>	24
	Sl	25
	Scf	26
	Nm <sup>3</sup>	27
	NI	28
Pressure	Ncf	29
	kPa	35
	MPa	36
	bar	38
Consumption mass	psi	39
	kg	47
Mass Flow	kg/h	52
	kg/min	53

- Second byte:

Bit7	Bit6	Bit5	Bit4	Bit3	Bit2	Bit1	Bit0
<b>Data type:</b>				<b>Resolution:</b>			
0 float,				0 0			
1 4-byte unsigned integer				1 0.0			
2 double				2 0.00			
				3 0.000			
				4 0.0000			

## Status

It is defined at holding register address 2300. The highest bit (Bit15) is used to indicate if sensor settings have been changed by users. When this register is read by the master, the Bit15 is reset to zero. The other bits are used to indicate whether the measuring channel is OK not not.

Bit	Description
Bit15	0: sensor settings have been never changed since last reading from a master 1: sensor settings have been changed since last reading from a master
Bit0	0: measuring channel 1 is OK 1: measuring channel 1 is not OK
Bit1	0: measuring channel 2 is OK 1: measuring channel 2 is not OK
....	...
Bit7	0: measuring channel 8 is OK 1: measuring channel 8 is not OK

## Channel value

Channel value is arranged from channel 1 to channel 50 (Max), The length and data type are defined in the section of Unit+Resolution+type. A maximum of 50 channels is supported.

Register address	Data type	Channel No.	Description	R/W
2301	FLOAT	Channel 1	Flow	R
2303	FLOAT	Channel 2	Actual Velocity	R
2305	INT32U	Channel 3	Consumption	R
2307	FLOAT	Channel 4	Flow (R)	R
2309	FLOAT	Channel 5	Actual Velocity (R)	R
2311	INT32U	Channel 6	Consumption (R)	R
2313	FLOAT	Channel 7	Pressure	R
2315	FLOAT	Channel 8	Temperature	R

**Channel, unit, resolution and type**

Register address	Channels	Unit	Resolution	Type
2200	Flow	Sm <sup>3</sup> /h, Scfm, Sl/min, kg/h, Nm <sup>3</sup> /h, Ncfm, NI/min, m <sup>3</sup> /h, cfm, l/min	0.1	Float
		Sm <sup>3</sup> /min, Sl/s, kg/min, Nm <sup>3</sup> /min, NI/s, m <sup>3</sup> /min, l/s	0.01	
		Kg/s	0.001	
2201	Velocity	ft/min	0	Float
		m/s	0.1	
2202	Consumption	Sm <sup>3</sup> , Sl, kg, Scf, Nm <sup>3</sup> , NI, Ncf, m <sup>3</sup> , l, cf	0	INT32U
2203	Flow(R)	Sm <sup>3</sup> /h, Scfm, Sl/min, kg/h, Nm <sup>3</sup> /h, Ncfm, NI/min	0.1	Float
		Sm <sup>3</sup> /min, Sl/s, kg/min, Nm <sup>3</sup> /min, NI/s	0.01	
		Kg/s	0.001	
2204	Velocity(R)	ft/min	0	Float
		m/s	0.1	
2205	Consumption(R)	Sm <sup>3</sup> , Sl, kg, Scf, Nm <sup>3</sup> , NI, Ncf	0	INT32U
2206	Pressure	psi	0.1	Float
		bar, MPa	0.01	
2207	Temperature	°C, °F	0.1	Float

### 10.2.2 Specific Settings for Gas Flowmeters

Register address	Data type	Description	R/W
2100	Float	Inner diameter in millimeters (Read only for inline type)	R/W
2102	INT16U	Gas type	R/W
2103	INT16U	Calibration gas 1, always air	R
2104	INT16U	Calibration gas 2, alternative gas	R
2105	Float	Reference temperature	R/W
2107	Float	Reference pressure	R/W
2109	Float	End range in m/s or ft/min (read-only)	R
2111	Float	User slope (limit range from 0.5 to 1.5)	R
2113	Float	Cutoff velocity in m/s or ft/min	R
2115	INT16U	Filter grade	R/W
2116	INT16U	Flow unit	R/W
2117	INT16U	Consumption unit	R/W
2118	INT16U	Pressure unit	R/W
2119	INT16U	Temperature unit	R/W
2120	INT16U	Routing of analog channel 2 (pressure or temperature) 0 pressure, 1 temperature Analog channel 1 is always for flow	R/W
2121	Float	4-20 mA scaling of channel 1 lower value	R/W
2123	Float	4-20 mA scaling of channel 1 Higher value	R/W
2125	Float	4-20 mA scaling of channel 2 lower value	R/W
2127	Float	4-20 mA scaling of channel 2 Higher value	R/W

#### Coding of Calibration/Operation gas type

Gas type	Code
Air	0
N <sub>2</sub>	1
Ar	2
CO <sub>2</sub>	3
He	4

Gas type	Code
Propane	7
Butane	8
O <sub>2</sub>	9
N <sub>2</sub> O	10
Nat. gas	11

H <sub>2</sub>	5
CH <sub>4</sub>	6

Mixed gas	12
-----------	----

**Notes:**

## 1. Scaling adjustment analog output

When flow units or reference conditions change, the scaling of analog output will be changed automatically by the flow meter. The relevant unit might be also changed; see the next note for details.

## 2. Unit relationship

When changing the flow unit the relevant consumption and velocity units are automatically also changed. The same applies if the velocity unit or consumption units are changed.

Flow unit	Consumption unit	Velocity unit
Sm <sup>3</sup> /min, Sm <sup>3</sup> /h Nm <sup>3</sup> /min, Nm <sup>3</sup> /h m <sup>3</sup> /min, m <sup>3</sup> /h	Sm <sup>3</sup> Nm <sup>3</sup> m <sup>3</sup>	m/s
Scfm Ncfm cfm	Scf Ncf cf	ft/min
kg/h, kg/min, kg/s	kg	m/s
Sl/min, Sl/s Nl/min, Nl/s l/min, l/s	Nl Sl l	m/s

## 3. Pressure / Temperature units change and Analog Scaling

When pressure or temperature units are changed, the corresponding scaling will also be changed automatically.

## 4. Flow units change and reference conditions

When flow units are changed the reference condition will not be changed automatically, they need to be changed manually.

## 5. Error handling of commands

If there is any invalid setting performed the flow meter will respond the function code with MSB set to 1. In the data field, there are error codes: 01 illegal function code, 02 illegal data address, 03 illegal data value.

### 10.3 Modbus/TCP Interface

The S453 supports the communication mode of Modbus/TCP over single-pair Ethernet. The mode is only applicable for the S453 non-explosion-proof version.

The Modbus/TCP holding registers are described in section 10.2.

#### 10.3.1 Modbus/TCP over Single-Pair Ethernet

The Modbus/TCP over Single-Pair Ethernet output is 10Base-T1L physical layer standard for 10 Mb/s Ethernet communication over a single balanced twisted pair copper cabling with provision of power.

The 10Base-T1L operates in the 2.4 Vpp mode and the cable length can be up to 1000 m. The power provision of the S453 supports 24V DC Power Class 12 (IEEE 802.3 cg) with integrated PoDL (Power Over Data Line) controller.



#### **ATTENTION!**

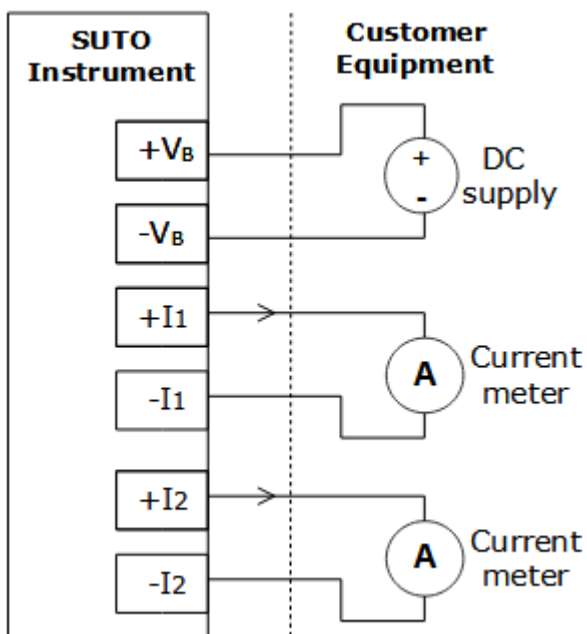
**The power provision of S453 is not applicable for explosion-protected environments (hazardous areas).**

### 10.4 Connection between S453 Outputs and Customer Equipment

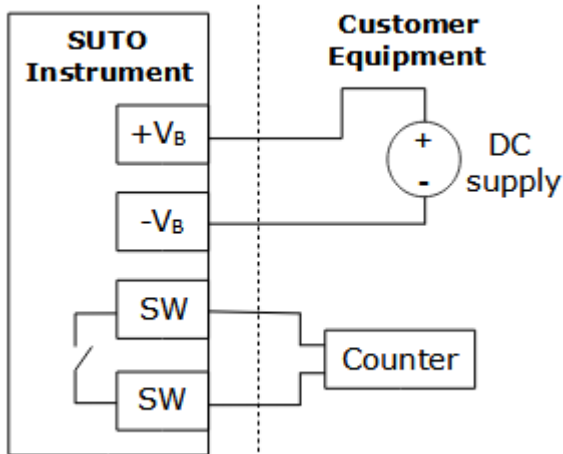
This section provides figures to show how outputs supported by the S453 connect with the customer equipment.

In the following figures, the **SUTO Instrument** indicates the S453.

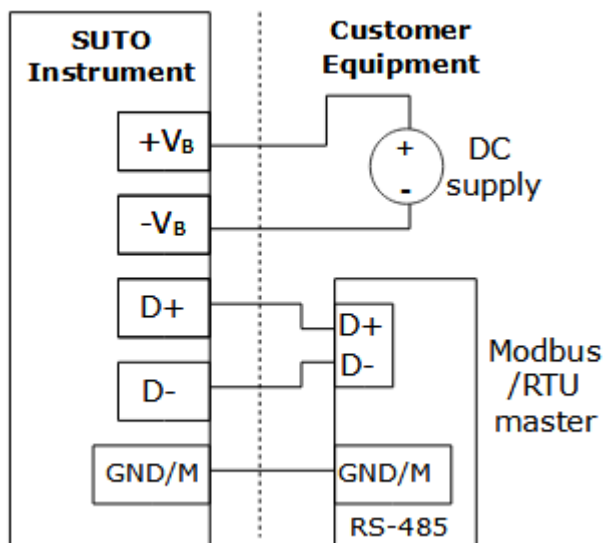
Two analog outputs  
(Isolated)



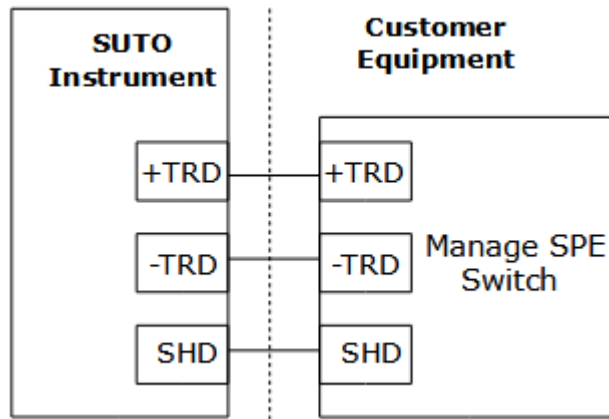
Pulse / Alarm output



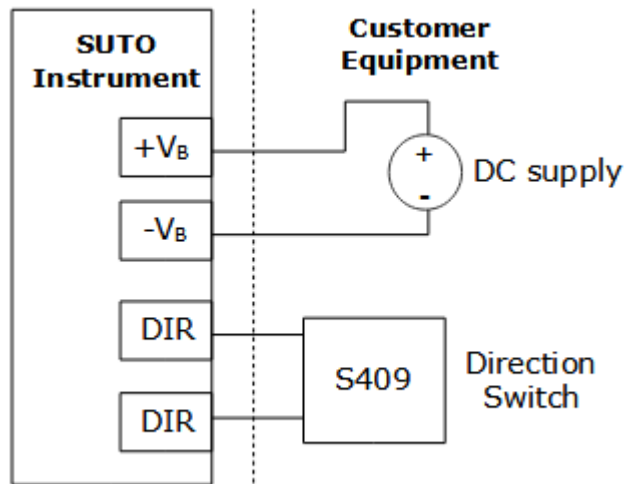
Modbus/RTU



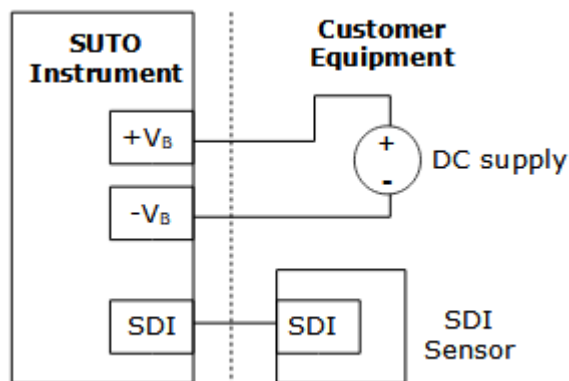
Modbus/TCP  
over single-pair  
Ethernet



Direction input



SDI Sensor





## 11 Operation Using the Display

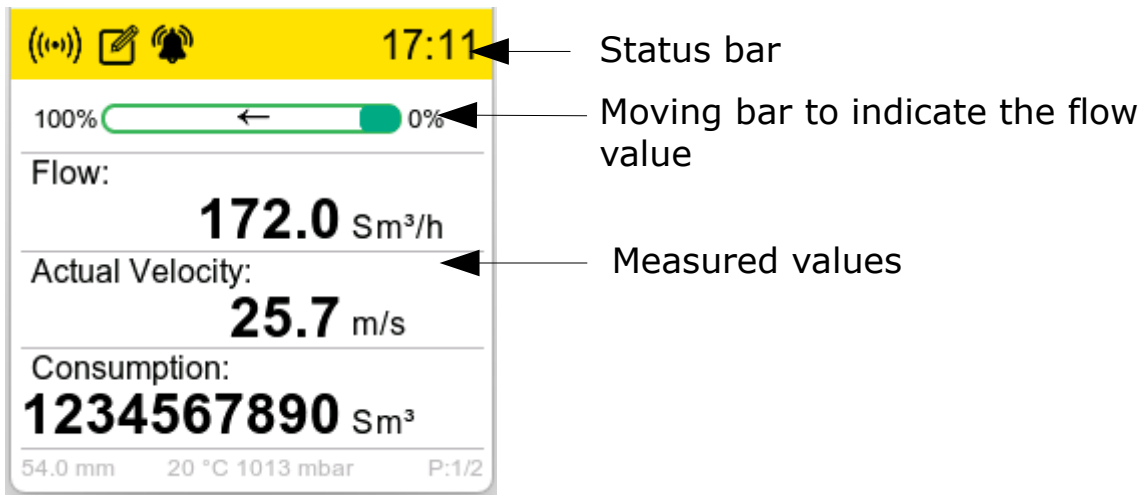
Using the display, you can do the following:

- View all available measurement channels.
- View error/status information.
- Change the sensor settings.

### 11.1 Information on the Display

#### 11.1.1 Home Page

After powered up, the display starts an initialization procedure. After it is completed, it enters the standard mode, showing online values as below.






Three optical keys on the S453 are available for operation.




### 11.1.2 Icons Shown in the Status Bar

Icons in the status bar indicate the status or warnings for the device.

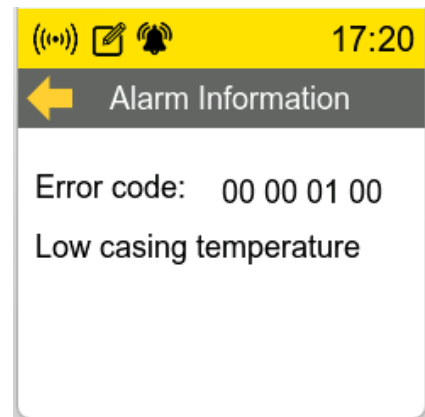
Icon	Explanation
	A wireless connection is established between the S453 and the mobile phone.
	The integrated logger is enabled.
	An alarm is raised.

### 11.1.3 Alarm and Error Code

When an alarm is raised, the alarm icon  comes up in the status bar.

To see the details of the raised alarm, do the following:

1. Press the **Enter** button on the S453, then the **Menu** page shows on the display.
2. On the **Menu** page, click **Information > Alarm information**. The alarm's error code and description show on the screen, as in the picture below.



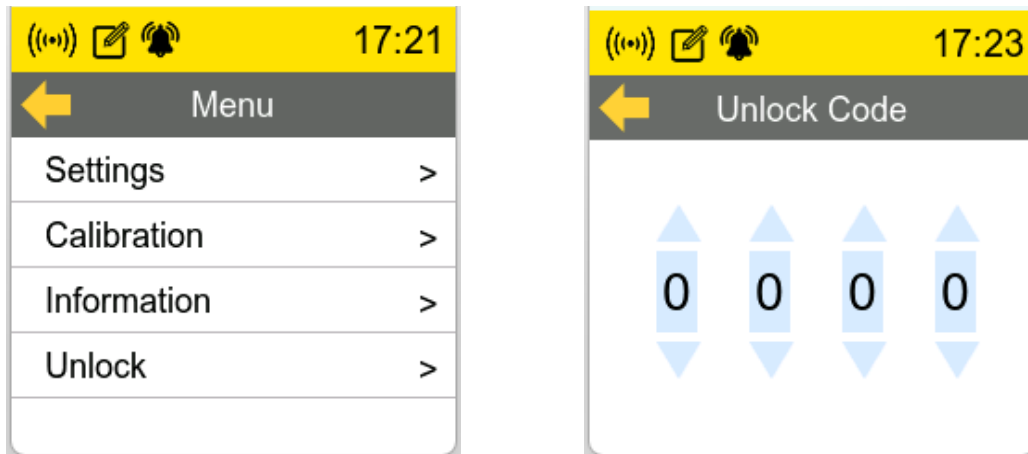
All alarm error codes and their meanings are as follows.

Error code	Description
00 00 00 01	EEPROM communication error
00 00 00 02	ADC communication error
00 00 00 04	Option board communication error
00 00 00 08	Wireless communication error
00 00 00 10	Temperature sensor communication error
00 00 01 00	Low casing temperature
00 00 02 00	High casing temperature
00 00 04 00	Low media temperature
00 00 08 00	High media temperature
00 01 00 00	PT20 sensor broken

00 02 00 00	PT1000 sensor broken
00 04 00 00	PT20 sensor shorten
00 08 00 00	PT1000 sensor shorten
01 00 00 00	Consumption checksum error

## 11.2 Operation

By pressing the **Enter** key on the S453, the **Menu** page comes up.



To perform any settings or calibration, you must enter a 4-digit password under the **Unlock** menu.

**Note:** The initial password is the last four digits of the serial number of your S453.

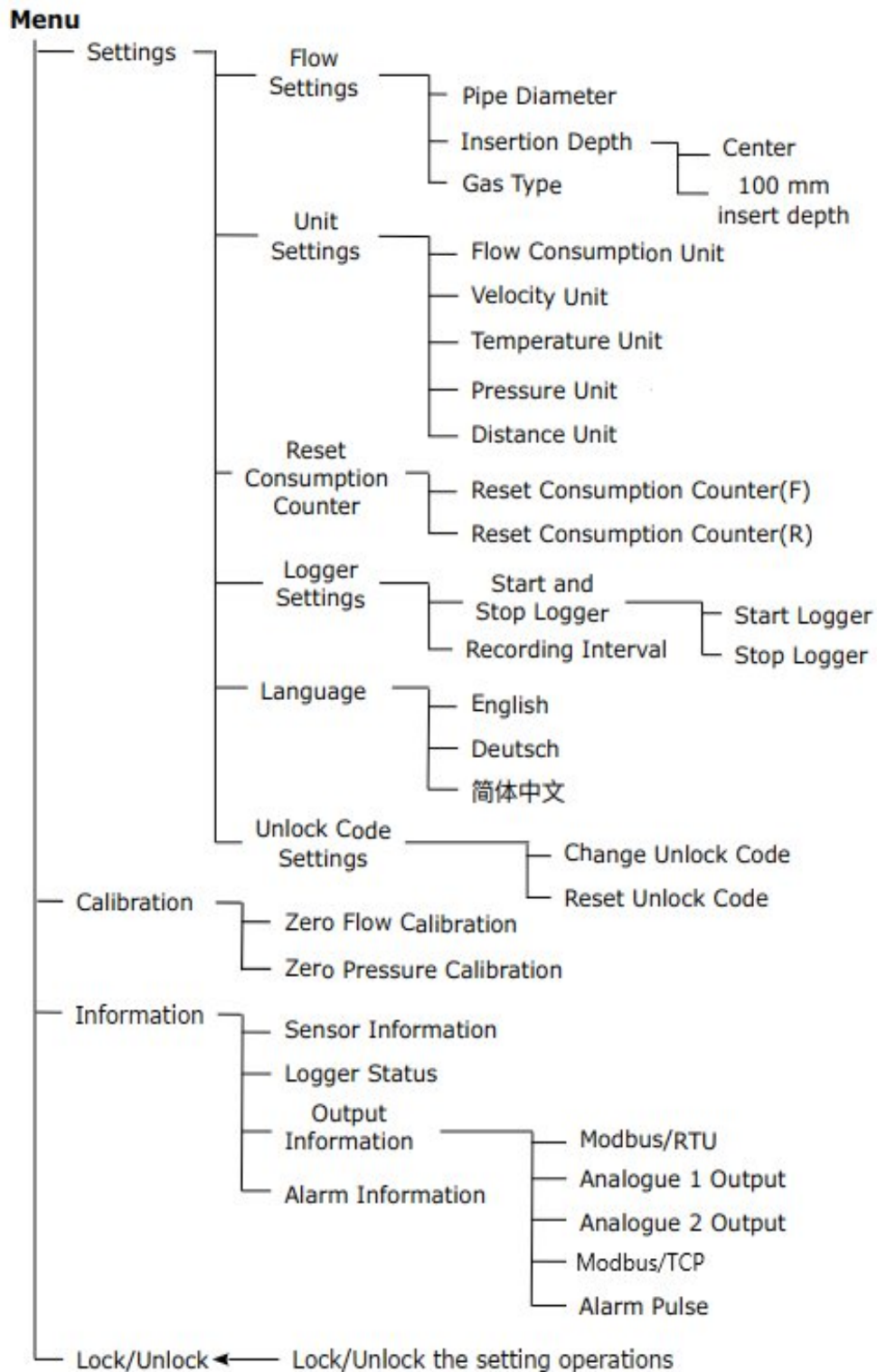
If the operation has stopped for more than 3 minutes, the password is reset and it has to be entered again. In general: if there is no operation happening for more than 3 minutes, the display jumps back to the main screen.

**Note:** The following settings are at the moment not available on the display, but only on the mobile App:

- Alarm settings
- Measurement: Reference conditions, Flow direction, Consumption counter
- Output settings for analog, pulse, Modbus and Ethernet
- Default values of all above settings

For details, see chapter 12 Configuration Using S4C-FS App.

### 11.3 Menu Map



## 12 Configuration Using S4C-FS App

### 12.1 Configurable Parameters



The S453 enables you to configure parameter settings according to the on-site requirements. The following table gives an overview of the available settings.

Parameters	Available settings	Default		
Measurement	Tube diameter	54.0		
	Flow unit	Sm <sup>3</sup> /h		
	Consumption unit	Sm <sup>3</sup>		
	Reference conditions	P <sub>s</sub> = 1000 hPA, T <sub>s</sub> = 20°C		
	Gas type selection	Air		
	Consumption counter	0 Sm <sup>3</sup>		
	Flow direction	Standard		
Analog output 1	Measurement channel	Flow		
	Scaling		4 mA	20 mA
		Standard	Zero flow	Max flow
		Variable	Any flow	Any flow
Analog output 2	Measurement channel	Medium pressure		
	Scaling	4 mA: 0.00 MPa 20 mA: 1.6 MPa or 5.0 MPa Or Medium temperature 4 mA: -40°C 20 mA: +140°C		
Pulse output	Pulse / Alarm	Pulse		
	Pulses/consumption unit	1		
Modbus	Device address	1		
	Baudrate	19200		
	Framing/parity/Stop bit	8, N, 1		
	Transmission mode	RTU		
Modbus/TCP over single-pair	DHCP	Enable		
	MAC	Set ex-factory		
	IP address	Static (when DHCP=disable)		

Parameters	Available settings	Default	
Ethernet	Subnet mask	Dynamic (when DHCP=enable)	
	Gateway		
	TCP	Port	504
		Timeout	≥200 ms

To configure S453 settings, use the mobile app **S4C-FS** for the full settings or the local display for the most common settings.

## 12.2 Alarm Settings

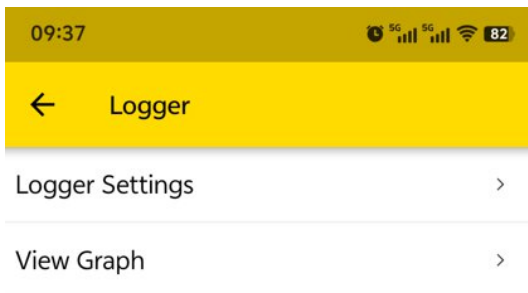
Parameter	Description	Settings
Alarm setting	Indicate if the alarm is enabled or disabled.	 : <b>disabled</b>  : <b>enabled</b>
Select channel	Select a channel for alarm settings.	- <b>Flow(F)</b> - Actual Velocity(F) - Flow(R) - Actual Velocity(R) - Temperature - Pressure
Select Alarm	Low Alarm: indicates an alarm with a lower threshold. High Alarm: indicates an alarm with a higher threshold.	- <b>Low Alarm</b> - High Alarm
Threshold	The threshold and hysteresis are used to activate or deactivate an alarm. For Low Alarm, when the channel value $\leq$ threshold, the low alarm is activated. When the channel value $>$ (threshold + hysteresis), the low alarm is deactivated.	Default threshold=0
Hysteresis	For High Alarm, when the channel value $\geq$ threshold, the high alarm is activated. When the channel value $<$ (threshold - hysteresis), the high alarm is deactivated.	Default hysteresis=0

### 12.3 Data Logger Settings

The flow meter comes with a data logger, and you can use the S4C-FS to change logger-related settings, view the graphic of measurement data, and export data in a file format.

#### 12.3.1 Configure Logger Parameters

1. On the S4C-FS App, follow the path **Settings > Logger > Logger Settings** to enter the logger settings page.



2. Set or view data logger parameters as shown in the table below.

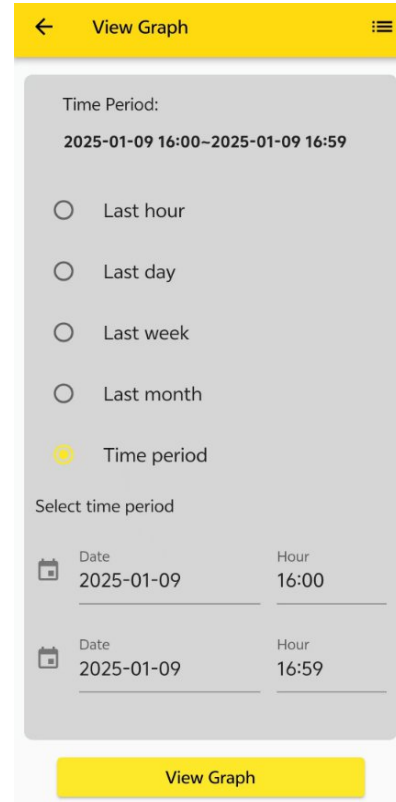
Parameter	Explanation	Logger setting page
Start / Stop Logger	To enable or disable the logger function.	
Start Date & Time	To view the start date and time for sampling.	
Stop Date & Time	To view the stop date and time for sampling.	
Number of Samples	To view number of the data samples that the flow meter has logged.	
Sampling Rate (mm:ss)	To configure the sampling interval.	

**Note:** When logger is started, it is not allowed to change any settings on either the device GUI or the S4C-FS app. If you try to change settings during logger running, the message “settings not allowed be change while logger is running” is displayed.

### 12.3.2 View Data Graph

On the S4C-FS App, follow the path **Settings > Logger > View Graph** to enter the view graph page.


1. Select the time period for which you want to view the graph. You can select the following time periods:
  - Last hour
  - Last day
  - Last week
  - Last month
  - Custom time period  
Users can select a specific start and end time.
  
2. Click **View Graph** to view the graph in your selected time period.




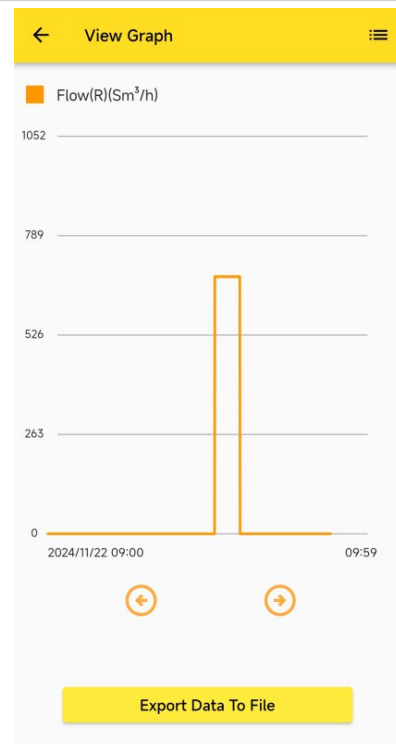
In the graph:

- Y-axis indicates recorded data.
- X-axis is the time axis.

The time period definition complies with the time standard ISO 8601 (YYYY/MM/DD hh:mm).


Click the top-right button  to select a channel for displaying, and one channel is shown each time.

Click  or  to move the time span.








### 12.3.3 View Consumption Graph

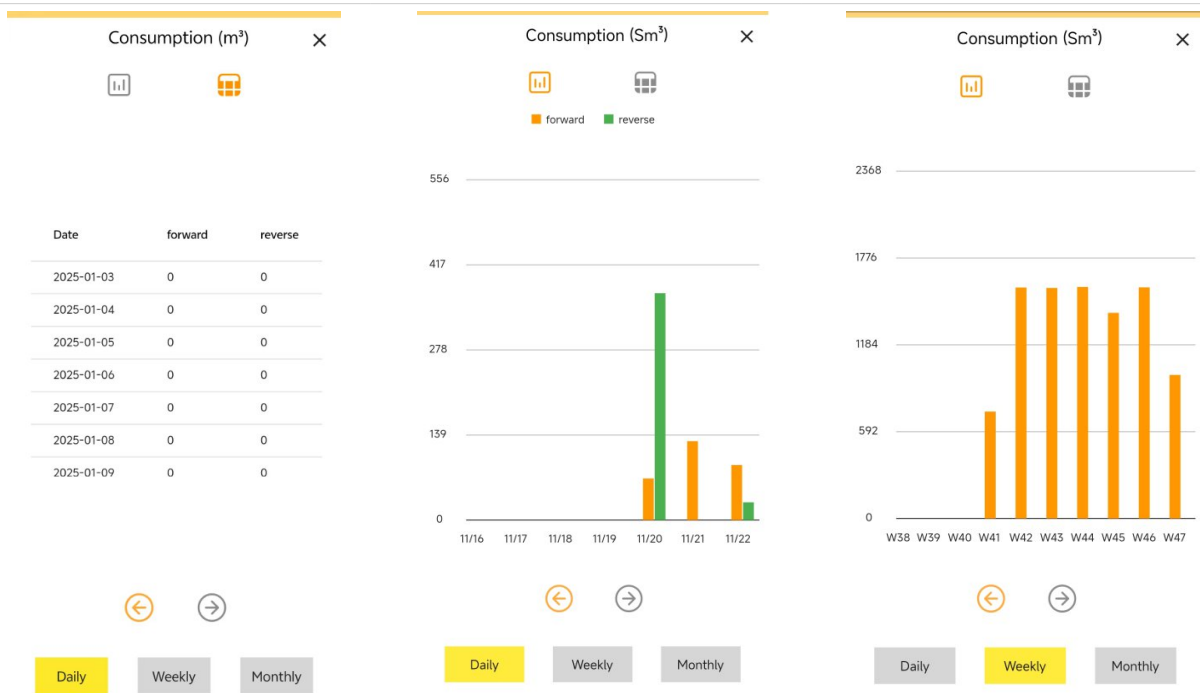
Click the bar graph icon  on the S4C-FS **Online** page to enter the consumption graph page. You can view the consumption by selecting daily, weekly, monthly.

- Daily: Shows the data in the latest 7 days (not include today).

Click  to move one day forward, and click  to move one day backward.

- Weekly: Shows the data in the latest 10 weeks.
- Monthly: Shows the data in the latest 12 months.

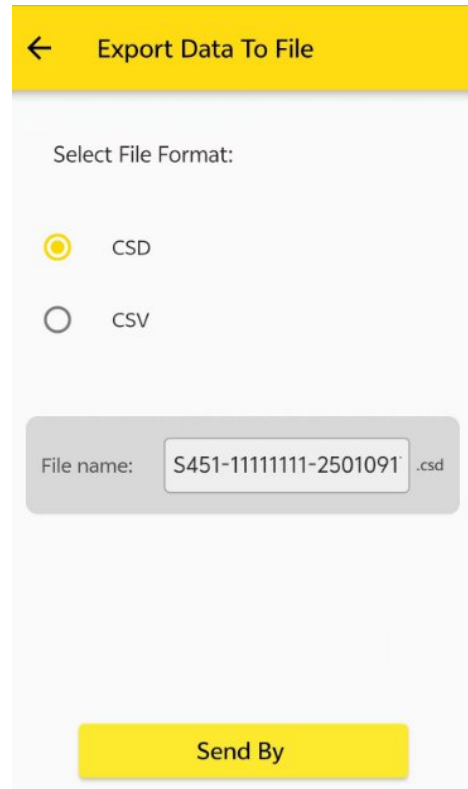
Click the table icon , the data shows in a table.



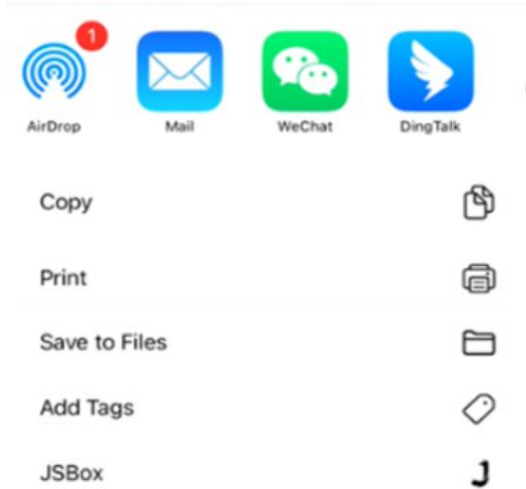
### 12.3.4 Export Data in a File

- You can export measurement data in the *.csd* or *.csv* file format.
- You can open the *.csd* file by using the SUTO iTEC S4A software. The *.csd* is the private file format of SUTO iTEC.
- You can open the *.csv* file by the generic software, such as Microsoft office Excel.
- The exported file has a default name, and you can rename it.

1. Click **Send by** to call related OS Apps, such as email, Wechat to send the file.



2. On your OS app, a message asks you for confirmation:
  - o Click **Ok** to send the file.
  - o Click **Cancel** not to send the file, and stop on the current page.

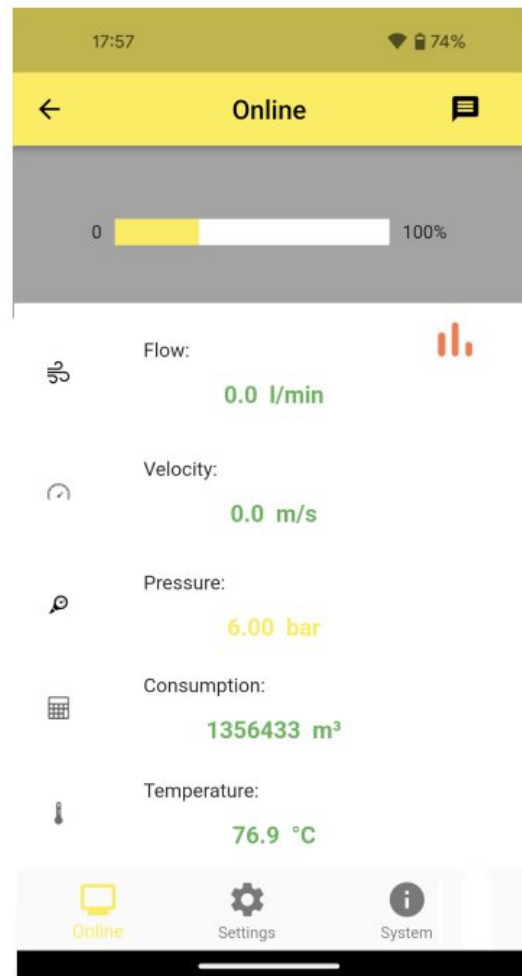


## 12.4 Use the Service App S4C-FS

The S4C-FS is an Android or iOS-based App that enables you to view online measurements and change settings for SUTO iTEC flow meters wirelessly.

Download S4C-FS from the Google Play Store, the Apple Shop or SUTO iTEC website, and install it as you do for any apps on your mobile phone.

For more information about the introduction of the sensor settings, see the *S4C-FS Instruction and Operation Manual*, which you can download from the SUTO iTEC website [www.suto-itec.com](http://www.suto-itec.com) (Download > Search: S4C-FS).



## 13 Calibration

The flow meter is calibrated ex-work. The exact calibration date is printed on the certificate which is supplied together with the flow meter. The accuracy of the flow meter is regulated by the on-site conditions, and parameters like oil, high humidity or other impurities can affect the calibration and furthermore the accuracy. However, it is recommended you to calibrate the instrument at least once per year. The calibration is excluded from the instrument's warranty. For the calibration service, please contact the manufacturer.

## 14 Maintenance

To clean the instrument, it is recommended to use distilled water or isopropyl alcohol only. If the contamination can not be removed the instrument must be inspected and maintained by the manufacturer.

## 15 Disposal or Waste



Electronic devices are recyclable materials and do not belong in household waste.

The device, the accessories and its packings must be disposed of according to your local statutory requirements. The disposal can also be carried by the manufacturer of the product. Please contact the manufacturer for details.

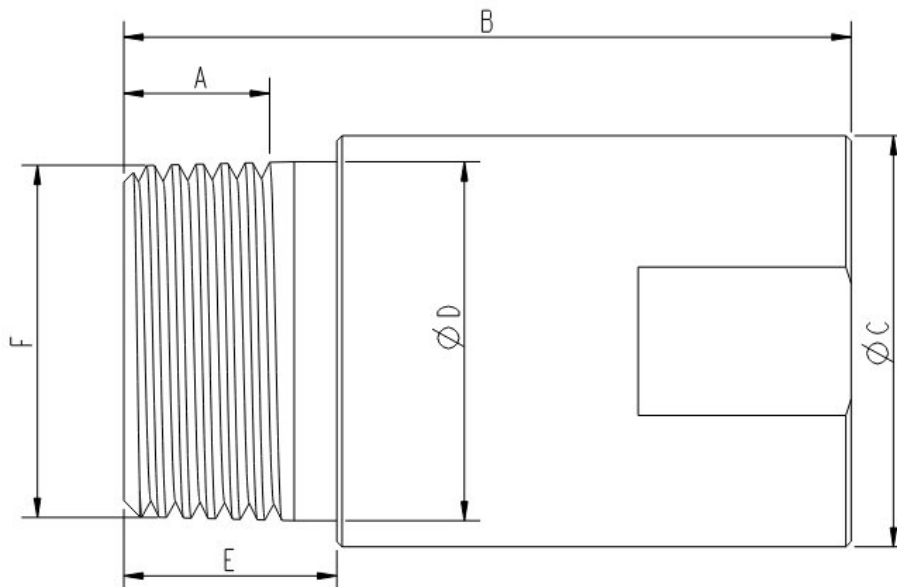
## 16 Appendix – Flow Conditioner

The flow conditioner is an essential component for installations where the straight inlet can not be maintained. The conditioner ensures accurate measurement by conditioning the flow before it reaches the flow meter.

The flow conditioner can reduce the minimum inlet straight section to the length of 5 to 8 times of pipe diameter. The conditioner works in a way that the resulted downstream conditions in the pipe are fully developed, independent from the upstream conditions.

**Note:** The flow conditioner is specifically designed to be mounted directly onto R-thread measuring sections.

### 16.1 Dimension



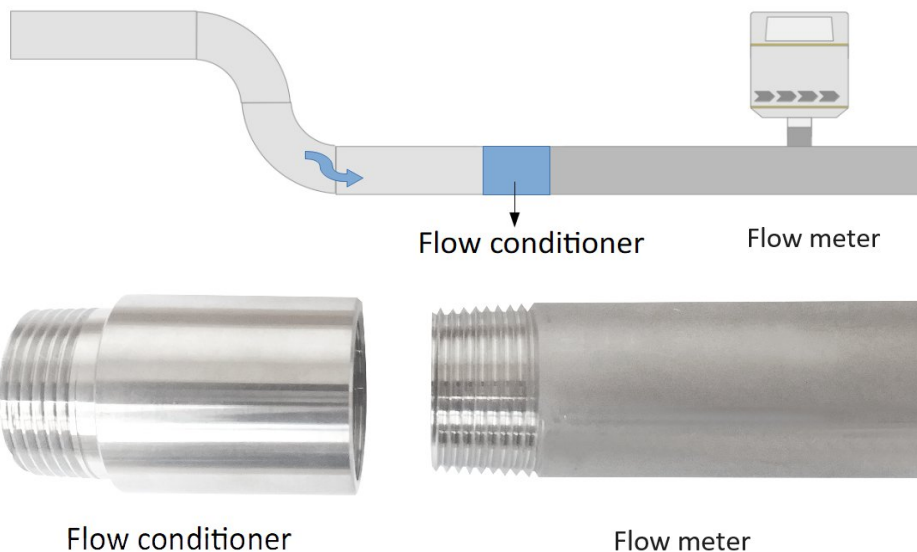
Unit: mm

Size	A	B	ΦC	ΦD	E	F
DN15	≥ 13.2	56.0	29.0	21.4	17.0	R1/2"
DN20	≥ 14.5	62.0	38.0	26.6	17.0	R3/4"
DN25	≥ 16.8	68.3	38.6	33.7	20.0	R1"
DN32	≥ 19.1	81.7	52.6	42.4	25.0	R1-1/4"
DN40	≥ 19.1	86.8	64.4	48.4	25.0	R1-1/2"
DN50	≥ 23.4	105.7	79.1	59.5	29.0	R2-1/2"
DN65	≥ 26.7	130.0	104.0	75.8	36.0	R3"
DN80	≥ 29.8	131.5	129.0	88.5	36.0	R4"

## 16.2 Installation

Follow the instructions below to ensure proper installation:

- Pre-installed configuration
  - If you have ordered the flow conditioner with the flow meter, it will be pre-installed at the factory. This means that the flow meter is calibrated together with the flow conditioner, ensuring optimum performance and accuracy right out of the box.
- Separate or retrofit installation and recalibration
  - In cases where the flow conditioner is purchased separately or as a retrofit to an existing installation, it is important to recalibrate the flow meter with the newly installed flow conditioner to ensure accurate measurements.
  - To recalibrate the flow meter, please contact your sales representative. They will provide further guidance and assistance to ensure that the recalibration process is carried out correctly.



By following these instructions, you can ensure that your flow conditioning system is properly installed and maintains the highest level of measurement accuracy.

### 16.3 Ordering Information

<b>Item No.</b>	<b>Measuring section (R-thread)</b>
A1071	DN15
A1072	DN20
A1073	DN25
A1074	DN32
A1075	DN40
A1076	DN50
A1077	DN65
A1078	DN80

---

## **SUTO iTEC GmbH**

Grißheimer Weg 21  
D-79423 Heitersheim  
Germany

Tel: +49 (0) 7634 50488 00  
Email: [sales@suto-itec.com](mailto:sales@suto-itec.com)  
Website: [www.suto-itec.com](http://www.suto-itec.com)

## **SUTO iTEC (ASIA) Co., Ltd.**

Room 10, 6/F, Block B, Cambridge Plaza  
188 San Wan Road, Sheung Shui, N.T.  
Hong Kong

Tel: +852 2328 9782  
Email: [sales.asia@suto-itec.com](mailto:sales.asia@suto-itec.com)  
Website: [www.suto-itec.com](http://www.suto-itec.com)

## **SUTO iTEC Inc.**

5460 33rd St SE  
Grand Rapids, MI 49512  
USA

Tel: +1 (616) 800-7886  
Email: [sales.us@suto-itec.com](mailto:sales.us@suto-itec.com)  
Website: [www.suto-itec.com](http://www.suto-itec.com)

---

All rights reserved ©

Modifications and errors reserved

S453\_IM\_EN\_V2025-2