

Instruction and Operation Manual

High pressure installation device



Dear Customer,

Thank you for choosing our product.

The operating instructions must be read in full and carefully observed before starting up the device. The manufacturer cannot be held liable for any damage which occurs as a result of non-observance or non-compliance with this manual.

Should the device be tampered with in any manner other than a procedure which is described and specified in the manual, the warranty is cancelled and the manufacturer is exempt from liability.

The device is destined exclusively for the described application.

SUTO offers no guarantee for the suitability for any other purpose. SUTO is also not liable for consequential damage resulting from the delivery, capability or use of this device.

Reversion: 2025-1

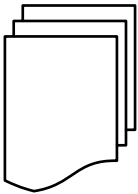


Last modifications: April, 2025

Table of contents

1 Safety Instructions.....	4
2 Application.....	6
3 Features.....	6
4 Technical Data.....	6
5 Dimensional Drawing.....	7
6 Installation.....	8
6.1 Installation Requirement.....	8
6.2 Installation Procedure.....	8
7 Disposal of Waste.....	11

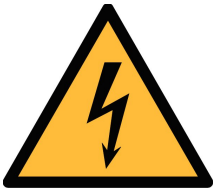
1 Safety Instructions



Please check if this instruction manual accords to the product type.

Please observe all notes and instructions indicated in this manual. It contains essential information which must be observed before and during installation, operation and maintenance. Therefore this instruction manual must be read carefully by the technician as well as by the responsible user / qualified personnel.

This instruction manual must be available at the operation site of the high pressure installation device at any time. In case of any obscurities or questions, regarding this manual or the product, please contact the manufacturer.



WARNING!

Compressed air!

Any contact with quickly escaping air or bursting parts of the compressed air system can lead to serious injuries or even death!

- Do not exceed the maximum permitted pressure range
- Only use pressure tight installation material.
- Avoid that persons get hit escaping air or bursting parts of the instrument.
- The system must be pressureless during maintenance work.



WARNING!

Voltage used for supply!

Any contact with energized parts of the product, may lead to a electrical shock which can lead to serious injuries or even death!

- Consider all regulations for electrical installations.
- The system must be disconnected from any power supply during maintenance work.
- Any electrical work on the system is only allowed by authorized qualified personal.

**ATTENTION!****Permitted operating parameters!**

Observe the permitted operating parameters, any operation exceeding this parameters can lead to malfunctions and may lead to damage on the instrument or the system.

- Do not exceed the permitted operating parameters.
- Make sure the product is operated in its permitted limitations.
- Do not exceed or undercut the permitted storage and operation temperature and pressure.

General safety instructions

- It is not allowed to use the product in explosive areas.
- Please observe the national regulations before/during installation and operation.

Remarks

- Always use spanner to mount the product properly.

Storage and transportation

- Make sure that the transportation temperature of the device is between $-30 \dots +70^{\circ}\text{C}$.
- For transportation it is recommended to use the packaging which comes with the product.
- Please make sure that the storage temperature of the product is between $-10 \dots +50^{\circ}\text{C}$.
- Avoid direct UV and solar radiation during storage.
- For the storage the humidity must be $<90\%$, no condensation.

2 Application

The high pressure installation device is designed for installing the S451 when the the pressure exceeds 1.5 MPa. This installation device is suitable for pressures up to 5 MPa.

Two types of the installation device are available separately for 200 mm and 300 mm shafts of the S451.

The high pressure installation device is mainly used in compressed air systems in industrial environments. It cannot be used in explosive areas. For the use in explosive areas, contact the manufacturer.

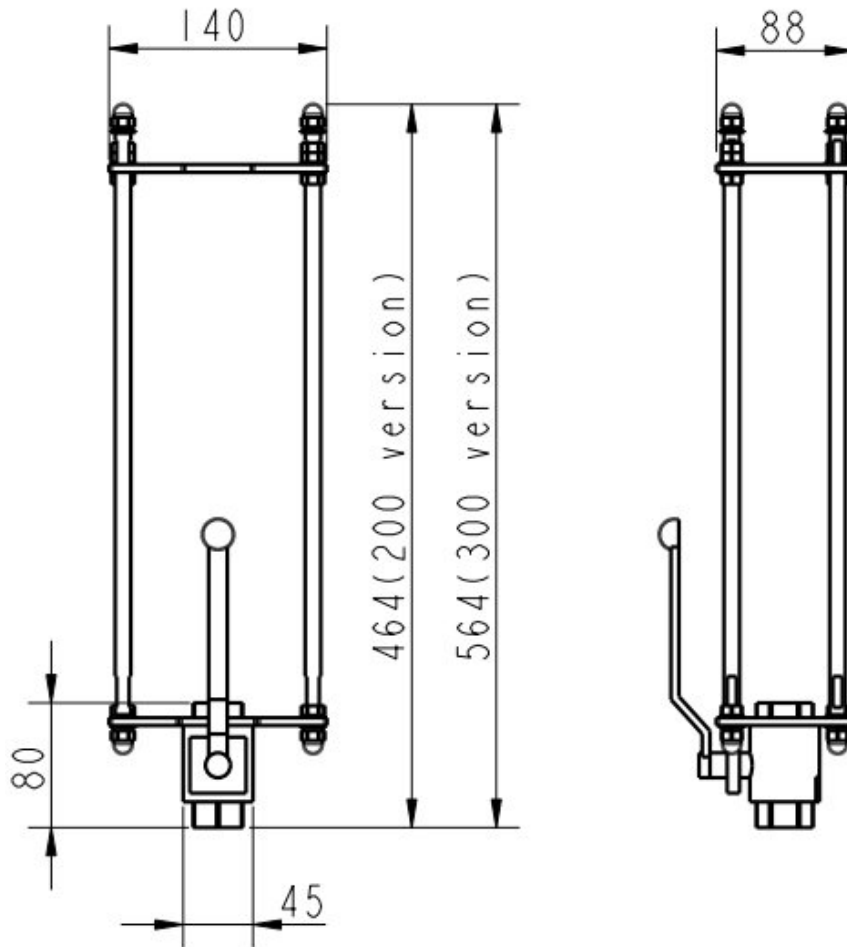
3 Features

- Easy installation over a ball valve, no production stop is necessary.
- More security for applications where the pressure exceeds 1.5 MPa.

4 Technical Data

CE	
Operating temperature	-30 ... +70°C
Operating pressure	1.5 ... 5 MPa
Material of the device	Stainless steel
Dimensions	See section 5
Screwing thread	G 3/4"
Weight	1.7 kg for S451 with the 200 mm shaft 1.85 kg for S451 with the 300 mm shaft

5 Dimensional Drawing



6 Installation

Make sure that all components listed below are included in your package.

Qty	Description	Item No.
1	High pressure installation device	A530 1119 (for S451 200 mm) A530 1120 (for S451 300 mm)
1	Instruction manual	No P/N

- The high pressure installation device is for indoor use only! At an outdoor installation, the device must be protected from solar radiation and rain.
- It is strongly recommend not to install the device permanently in wet environment which exists usually right after a compressor outlet.

6.1 Installation Requirement

Make sure that a ball valve with a 3/4" BSP thread is placed at the point of measurement.

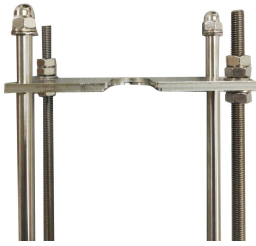
6.2 Installation Procedure

Install the high pressure installation device

Please observe the following steps for an appropriate installation:



1. The device must be installed on a de-pressurized pipe and without any leakage.
2. Tight it up fully (use the teflon tape for sealing).



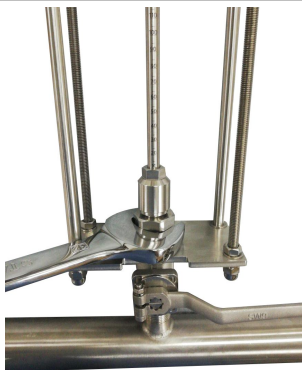
3. Turn the wing nuts to the top position.



4. Place the S451 in the holding plate as indicated.



5. Mount the connection head onto the ball valve and tighten it up with a wrench. Ensure that the O-ring is proper fitted on the ball valve.



6. Before turning on the ball valve, screw down the wing nuts so that the holding plate is secured. This prevents the S451 from shooting out when the ball valve is open.

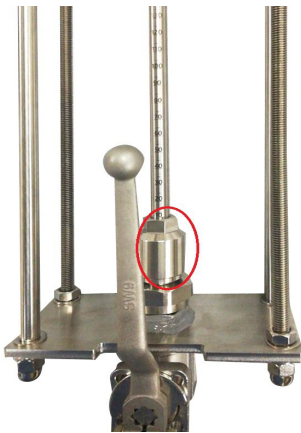
7. Turn on the ball valve slowly and check for any possible leakage.



8. Now turn the wing nuts until the flow meter shaft is inserted to the correct depth. For more information, see the instruction manual of the S451.



9. Turn the counter nuts until the holding plate is secured in the position.



10. Tighten up the clamp sleeve to fix the installation.

Remove the high pressure installation device

After installing the flow meter successfully, you can easily remove and re-install the flow meter even under pressure.

1. For the de-installation, open the counter nut at the flow meter head.
2. Then turn the wing nuts to the upper position so that the flow meter shaft is fully removed.
3. Finally turn off the ball valve.

7 Disposal of Waste



Electronic devices are recyclable material and do not belong in the household waste.

The sensor, the accessories and its packings must be disposed according to your local statutory requirements.

The dispose can also be carried by the manufacturer of the product, for this please contact the manufacturer.

SUTO iTEC GmbH

Grißheimer Weg 21
D-79423 Heitersheim
Germany

Tel: +49 (0) 7634 50488 00
Email: sales@suto-itec.com
Website: www.suto-itec.com

SUTO iTEC (ASIA) Co., Ltd.

Room 10, 6/F, Block B, Cambridge Plaza
188 San Wan Road, Sheung Shui, N.T.
Hong Kong

Tel: +852 2328 9782
Email: sales.asia@suto-itec.com
Website: www.suto-itec.com

SUTO iTEC Inc.

5460 33rd St SE
Grand Rapids, MI 49512
USA

Tel: +1 (616) 800-7886
Email: sales.us@suto-itec.com
Website: www.suto-itec.com

All rights reserved ©

Modifications and errors reserved

High_pressure_installtion_device_S451_IM_EN_V2025-1
