

Instruction and Operation Manual

S451

**Thermal Mass Flow Meter
for Heavy Duty and Ex
Applications (Insertion)**



Dear Customer,

Thank you for choosing our product.

Please read this manual in full before starting up the device and carefully observe the instructions stated. The manufacturer cannot be held liable for any damage that occurs as a result of non-observance or non-compliance with this manual.

Should the device be tampered with in any manner other than a procedure that is described and specified in the manual, the warranty is void and the manufacturer is exempt from liability.

The device is destined exclusively for the described application.

SUTO offers no guarantee of the suitability for any other purpose. SUTO is also not liable for consequential damage resulting from the delivery, capability, or use of this device.

Reversion: 2025-4-1



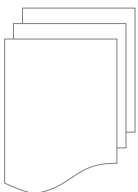
Last modifications: December, 2025

Table of Contents

1 Safety Instructions.....	5
2 Registered Trademarks.....	7
3 RF Exposure Information and Statement.....	8
4 Application	9
5 Features	10
6 Technical Data.....	11
6.1 Measurement.....	11
6.2 Output Signal/ Interface and Supply.....	12
6.3 General Data	13
6.4 Flow Ranges	14
7 Dimensional Drawing.....	16
8 Determine the Installation Point	17
8.1 Inlet and Outlet Sections	17
9 Installation	19
9.1 Installation Requirements	20
9.2 Installation Procedure.....	20
9.2.1 Determine the Insertion Depth.....	21
9.2.2 Install the Flow Meter	22
9.2.3 Remove the Flow Meter	23
9.2.4 Rotate the Display	23
9.3 Electrical Connection.....	25
9.3.1 Connection Diagram	26
9.3.2 Pin Assignment	27
10 Signal Outputs.....	28
10.1 Analog and Pulse Outputs	28
10.1.1 Analog Output	28
10.1.2 Pulse / Alarm Output.....	29
10.2 Modbus/RTU Interface	29
10.2.1 Modbus Holding Registers	31
10.2.2 Channel value information.....	32
10.2.3 Specific Settings for Gas Flowmeters.....	35
10.3 Modbus/TCP Interface	37
10.4 Connection between S451 and Customer Equipment.....	37
11 Operation Using the Display	39
11.1 Information on the Display.....	39
11.1.1 Home Page	39
11.1.2 Icons Shown in the Status Bar.....	40
11.1.3 Alarm and Error Code	40
11.2 Operation.....	41
11.3 Menu Map.....	42

12 Configuration Using S4C-FS App.....	43
12.1 Configurable Parameters.....	43
12.2 Alarm Settings.....	44
12.3 Data Logger Settings.....	45
12.3.1 Configure Logger Parameters.....	45
12.3.2 View Data Graph.....	46
12.3.3 View Consumption Graph.....	47
12.3.4 Export Data in a File	47
12.4 Use the Service App S4C-FS	49
13 Calibration.....	50
14 Maintenance.....	50
15 Disposal of Waste.....	50

1 Safety Instructions



Please check if this instruction manual matches the product type.

Please observe all notes and instructions in this manual. It contains essential information that must be observed before and during installation, operation and maintenance. Therefore this instruction manual must be read carefully by the technician as well as by the responsible user or qualified personnel.

This instruction manual must be available at the operation site of the flow sensor at any time. In case of any obscurities or questions, regarding this manual or the product, please contact the manufacturer.

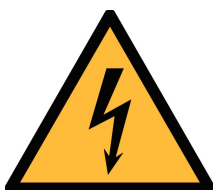


WARNING!

Compressed air!

Any contact with quickly escaping air or bursting parts of the compressed air system can lead to serious injuries or even death!

- Do not exceed the maximum permitted pressure range (see sensors label).
- Only use pressure-tight installation material.
- Avoid that persons get hit escaping air or bursting parts of the instrument.
- The system must be pressureless during maintenance work.



WARNING!

Voltage used for supply!

Any contact with energized parts of the product, may lead to an electrical shock which can lead to serious injuries or even death!

- Consider all regulations for electrical installations.
- The system must be disconnected from any power supply during maintenance work.
- Any electrical work on the system is only allowed by authorized qualified personnel.

**ATTENTION!****Permitted operating parameters!**

Observe the permitted operating parameters, any operation exceeding parameters can lead to malfunctions and may lead to damage to the instrument or the system.

- Do not exceed the permitted operating parameters.
- Make sure the product is operated within its permitted limitations.
- Do not exceed or undercut the permitted storage and operation temperature and pressure.
- The product should be maintained and calibrated frequently, at least annually.

General safety instructions

- It is allowed to use the product in explosive areas. Please contact the manufacturer.
- Please observe the national regulations before/during installation and operation.

Remarks

- It is not allowed to disassemble the product.
- Always use a spanner to mount the product properly.

**ATTENTION!****Measurement values can be affected by malfunction!**

The product must be installed properly and frequently maintained, otherwise, it may lead to wrong measurement values, which can lead to wrong results.

- Always observe the direction of the flow when installing the sensor. The direction is indicated on the housing.
- Do not exceed the maximum operation temperature at the sensor tip.
- Avoid condensation on the sensor element as this will affect the accuracy enormously.

Storage and transportation

- Make sure that the transportation and storage temperature of the sensor is between -30 ... +70°C.
- For transportation it is recommended to use the packaging which comes with the sensor.
- Avoid direct UV and solar radiation during storage.
- For the storage the humidity must be <90% with no condensation.

2 Registered Trademarks

SUTO®	Registered trademark of SUTO iTEC
MODBUS®	Registered trademark of the Modbus Organization, Hopkinton, USA
Android™, Google Play	Registered trademarks of Google LLC

3 RF Exposure Information and Statement

This equipment complies with FCC RF radiation exposure limits set forth for an uncontrolled environment. This equipment should be installed and operated with minimum distance of 20 cm between the radiator and your body.

This device complies with part 15 of the FCC rules. Operation is subject to the following two conditions: (1) this device may not cause harmful interference, and (2) this device must accept any interference received, including interference that may cause undesired operation.

NOTE: The manufacturer is not responsible for any radio or TV interference caused by unauthorized modifications to this equipment. Such modifications could void the user's authority to operate the equipment.

NOTE: This equipment has been tested and found to comply with the limits for a Class B digital device, pursuant to part 15 of the FCC Rules. These limits are designed to provide reasonable protection against harmful interference in a residential installation. This equipment generates uses and can radiate radio frequency energy and, if not installed and used in accordance with the instructions, may cause harmful interference to radio communications. However, there is no guarantee that interference will not occur in a particular installation. If this equipment does cause harmful interference to radio or television reception, which can be determined by turning the equipment off and on, the user is encouraged to try to correct the interference by one or more of the following measures:

- Reorient or relocate the receiving antenna.
- Increase the separation between the equipment and receiver.
- Connect the equipment into an outlet on a circuit different from that to which the receiver is connected.
- Consult the dealer or an experienced radio/TV technician for help
- This device and its antenna(s) must not be co-located or operating in conjunction with any other antenna or transmitter.

4 Application

The S451 Thermal Mass Flow Meter is designed for two scenarios:

- Normal environments
The S451 is referred to as the non-Ex version in this case.
- Harsh and hazardous environments
The S451 is referred to as the Ex-version in this case.

This manual is applicable to both versions. For the explosion-specific instructions and certifications, you can see the *Explosion-Proof Certification Manual* by scanning the QR code



or clicking the link [Explosion-Proof Certification Manual](#).

The S451 is mainly used to measure compressed air and process gases. It can also be used for vacuum application. The S451 can measure the following parameters:

- Volumetric flow, mass flow, or actual flow
- Velocity
- Consumption
- Pressure
- Temperature

For the compressed air application, the default measurement units are velocity in m/s, volumetric flow in Sm^3/h , and consumption in Sm^3 , pressure in bar(g), and temperature in $^{\circ}\text{C}$. You can change the unit through the local display or the mobile App S4C-FS.

For the vacuum application, the factory settings are velocity in m/s, vacuum flow in m^3/h and consumption in m^3 , pressure in bar(a), and temperature in $^{\circ}\text{C}$.




Note: The vacuum application is only applicable to the non-Ex-version.

5 Features

- Mass flow measurements to determine mass flow, standard flow, consumption, pressure, and temperature
- Rugged metal housing for use in outdoor areas and hazardous environments
- Easy access to the stored measurement data via the integrated data logger using the free S4C-FS smart-phone app
- All components in contact with the medium are made of stainless steel or nickel-plated metal
- Mechanical design with no moving parts for clog-free operation
- Wireless interface to mobile app S4C-FS for on-site sensor settings
- Display showing actual measurement values and status information
- Integrated with the data logger, allowing you to view the graphic of data and readout measurement data
- The vacuum application (for non-Ex version only) to measure the actual flow

6 Technical Data

6.1 Measurement

   Contains FCC ID: 2ABN2-BG22B1	
Flow	
Accuracy*	$\pm(1.5\% \text{ of reading} + 0.3\% \text{ F.S.})$ * The specified accuracy is valid only within the minimum and maximum flow rates that are stated in section 6.4 .
Selectable unit	Standard flow unit: Sm^3/h
	Available units: Sm^3/min , Sl/min , Sl/s , Scfm , kg/h , kg/min , kg/s , Nm^3/min , NI/min , NI/s , Ncfm , m^3/min , l/min , l/s , cfm
	Standard velocity unit: m/s
Measuring range	$0 \dots 30 \text{ m/s}$ (low range calibration and vacuum version) $0 \dots 120 \text{ m/s}$ (standard range calibration) $0 \dots 240 \text{ m/s}$ (max range calibration) (See section 6.4 for flow measurement ranges in different tube diameters) * m/s : standard meter per second
Repeatability	0.25% of reading
Principle of measurement	Thermal mass flow
Sensor	Resistive sensor
Sampling rate	3 samples/sec
Turndown ratio	200:1
Response time (t_{90})	0.5 sec
Consumption	
Selectable units	Sm^3 , Sl , Scf , kg , Nm^3 , NI , Ncf m^3 , l , cf
Pressure	
Accuracy	0.5% FS
Selectable unit	bar(g) , psi(g) , kPa(g) , MPa(g) bar(a) , psi(a) , kPa(a)

Measuring range	<ul style="list-style-type: none"> 0 ... 0.2 MPa (option A1565) <p>Note: This range is applicable to the non-Ex-version only.</p> <ul style="list-style-type: none"> 0 ... 1.6 MPa(g) (option A1558) 0 ... 5.0 MPa(g) (option A1559)
Sensor	Piezzo resistive sensor
Temperature	
Accuracy	0.5°C
Selectable unit	°C, °F
Measuring range	-40 ... +140°C
Sensor	Pt1000
Reference conditions	
Selectable conditions	ISO1217, 20°C, 1000 mbar (Standard-Unit) DIN1343, 0°C, 1013.25 mbar (Norm-Unit) Freely adjustable <p>Note: For the vacuum version, the reference condition cannot be selectable, and it is set ex factory to 20°C and 1000 hPa.</p>

Note: The total consumption value is saved to the permanent memory every 5 minutes. If within these 5 minutes, the device is powered off, it will restore the last consumption value which was saved in the last cycle.

6.2 Output Signal/ Interface and Supply

Analog output	
Signal	2 x 4 ... 20 mA (4-wire), isolated
Scaling	0 ... max flow, freely adjustable
Load	Max. 400 Ohm
Update rate	Value updated every 1 sec
Pulse/Alarm output	
Signal	Switch output, normally open, max. 30 VDC, 200 mA
Scaling	1 pulse per consumption unit (select-able)
Alarm	Channel and threshold freely settable

Fieldbus	
Protocol	Modbus/RTU
Power supply	
Voltage, current, consumption	16 ... 30 VDC <ul style="list-style-type: none"> • 5.0 W, 240 mA@24 VDC, heater on • 4.3 W, 180 mA@24 VDC, heater off

6.3 General Data

Configuration	
Wireless	S4C-FS App for Android and iOS
Touch screen	3 optical keys at the display
Data logger	
Capacity	1,200,000 lines For example, when the sampling rate is 1 sample/sec, the data logger can store data records for 13 days.
Display	
Integrated	Color graphics display
Material	
Process connection	Stainless steel 1.4404 (SUS 3 16L)
Housing material	Al alloy
Sensor	Stainless steel 1.4404 (SUS 3 16L), 4J50 nickel-plated, glass
Metal parts	Stainless steel 1.4404 (SUS 3 16L)
Miscellaneous	
Electrical connection	Screw terminals
Protection class	IP67, IP65 (Ex version)
Approvals	CE, RoHS, FCC, Ex-Options
Screwing thread	G3/4" (ISO 228/1)
Weight	2.08 kg (200 mm version) 2.15 kg (300 mm version)
Operating conditions	
Measured medium	Air, N ₂ , O ₂ , CO ₂ and other non-corrosive gases

Medium humidity	< 90%, no condensation
Operating pressure	<ul style="list-style-type: none"> • 0 ... 0.2 MPa (option A1565) Note: This range is applicable to the non-Ex-version only. • 0 ... 1.6 MPa (option A1558) • 0 ... 5.0 MPa (option A1559) <p>Note: For pressure above 1.5 MPa, use the installation device A530 1119 or A530 1120 to install the S451.</p>
Ambient temperature	-40 ... +55°C (Ex Version) -40 ... +65°C
Storage temperature	-40 ... +70°C
Transport temperature	-40 ... +70°C
Medium temperature	-30 ... +90°C (Ex Version) -30 ... +140°C
Tube diameter	From DN25 (1") upwards

6.4 Flow Ranges

The flow ranges are stated under the following conditions:

- Standard flow in air
- Reference pressure: 1000 hPa
- Reference Temperature: +20°C

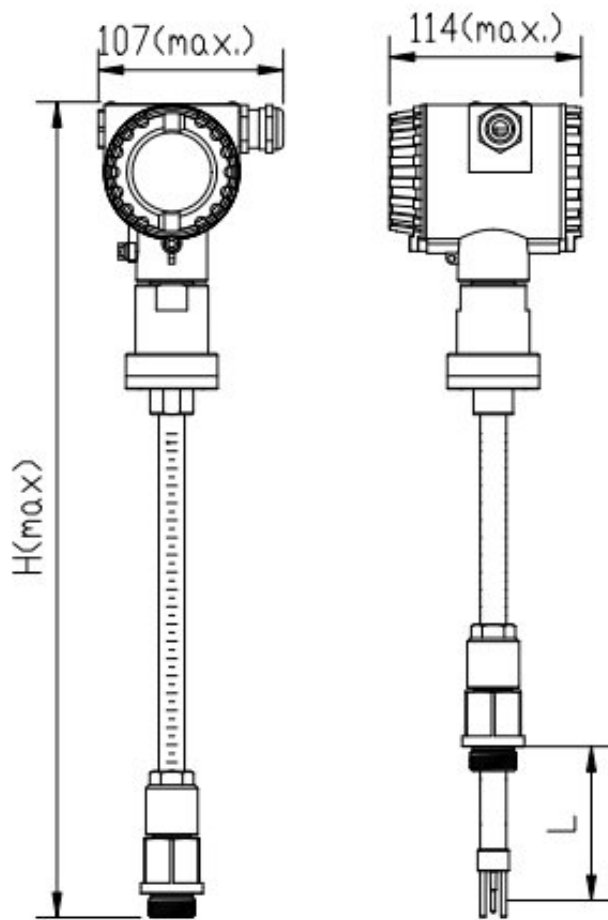
Diameter			Low	Standard	Max
		(mm)	(Sm ³ /h)	(Sm ³ /h)	(Sm ³ /h)
DN25	1"	27.3	0.2 ... 48	0.8 ... 191	1.5 ... 382
DN32	1¼"	36.0	0.3 ... 86	1.4 ... 345	2.8 ... 689
DN40	1½"	41.9	0.5 ... 119	1.9 ... 475	3.8 ... 949
DN50	2"	53.1	0.8 ... 194	3.1 ... 777	6.2 ... 1,554
DN65	2½"	68.9	1.3 ... 332	5.3 ... 1,329	10.6 ... 2,658
DN80	3"	80.9	1.8 ... 461	7.4 ... 1,843	14.7 ... 3,686
DN100	4"	100.0	2.8 ... 707	11.3 ... 2,826	23 ... 5,653
DN125	5"	125.0	4.4 ... 1,107	17.7 ... 4,427	35 ... 8,853
DN150	6"	150.0	6.4 ... 1,596	26 ... 6,382	51 ... 12,764
DN200	8"	200.0	11.4 ... 2,843	45 ... 11,373	91 ... 22,764
DN250	10"	250.0	18 ... 4,448	71 ... 17,791	142 ... 35,583
DN300	12"	300.0	26 ... 6,413	103 ... 25,650	205 ... 51,300

Note: The vacuum application can only use the low rang measurement.

To calculate flow ranges based on pipe and reference conditions in your site, SUTO iTEC offers the "Flow Range Calculator" tool for free. The tool can be used online from <http://www.suto-itec.com> by clicking **Support > Flow Range Calculator**.

SENSOR SELECTION		CALCULATOR OUTPUTS	
Sensor Type	S451	Max. flow	804 Sm³/h
Measuring section		Min. flow	3.2 Sm³/h
Measuring range	Standard	Max. velocity	120.0 Sm/s
Pipe inner diameter	54.0		

7 Dimensional Drawing



Shaft option	L (mm)	H (mm)
A	200	472
B	300	572

8 Determine the Installation Point

To maintain the accuracy stated in the technical data, the flow meter must be inserted in the center of a straight pipe section with unhindered flow characteristics.

Unhindered flow characteristics are achieved if the sections in front of the flow meter (inlet) and after the flow meter (outlet) are sufficiently long, absolutely straight, and free of obstructions such as edges, seams, curves etc.

Please consider that enough space exists at your site for an adequate installation as described in this manual.



ATTENTION!

Wrong measurements may occur if the flow meter is not installed correctly.

- Pay careful attention to the design of the inlet and outlet sections. Obstructions can cause counter-flow turbulence as well as turbulence in the direction of the flow.
- It is strongly recommended not to install the S451 permanently in a wet environment which exists usually right after a compressor outlet.

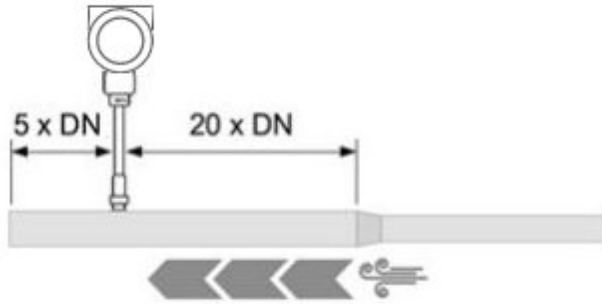
8.1 Inlet and Outlet Sections

The following figures show the necessary equalizing sections to existing obstructions. If it is not possible to observe the indicated equalizing sections, deviations in measuring results have to be expected.

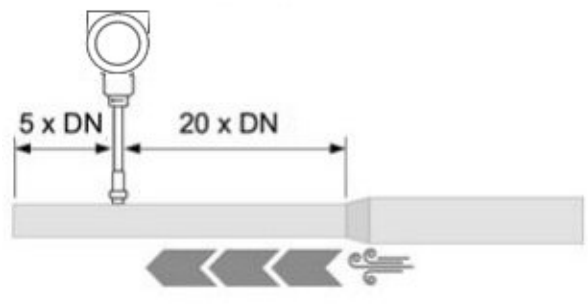
Notes:

- If there is any combination of the situations below, the longest straight inlet section must be maintained.
- The length of the inlet and outlet sections depicted below are the minimum requirement; longer inlet sections are preferable. That is, if it is possible to achieve a longer straight inlet section than the minimum specified during installation, this is preferable.

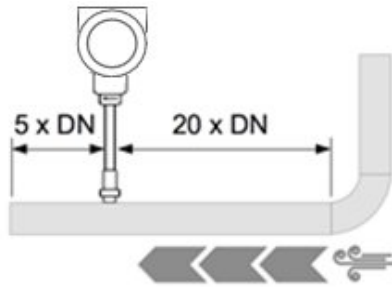
Expansion



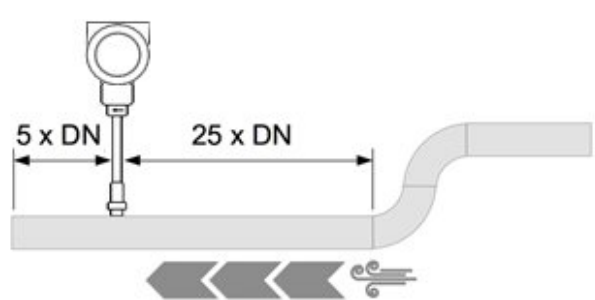
Reduction



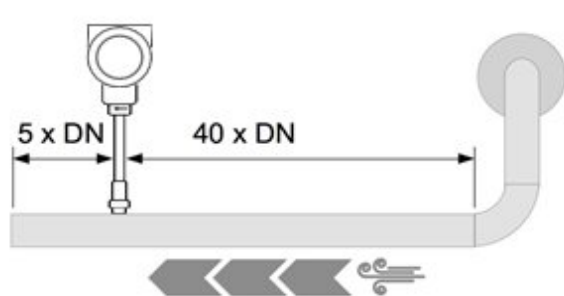
90° Bend



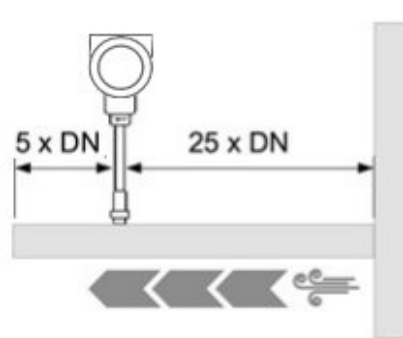
2×90° Bend



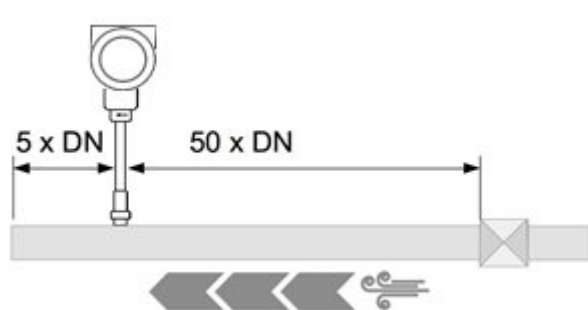
3-dimensional Bend



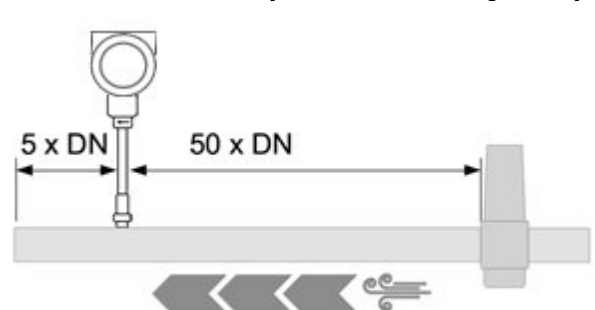
T-piece



Shut-off valve



Filter or similar (unknown objects)



9 Installation

Before installing the flow meter, please make sure that all components listed below are included in your package.

Qty	Description	Item No.
1	S451 Thermal Mass Flow Meter (Insertion Type with 200 or 300 mm shaft), including Display, Data Logger, Flow Medium 1: Air	S695 4510 or S695 4511
1	Sealing ring	No P/N
1	Alignment key	No P/N
1	Instruction manual	No P/N
1	Calibration certificate	No P/N

For pressure above 1.5 MPa you need to use the installation device A530 1119 or A530 1120.

Order No.	Description
A530 1119	High-pressure installation device S451, 200 mm. To be used if the pressure is above 1.5 MPa.
A530 1120	High-pressure installation device S451, 300 mm. To be used if the pressure is above 1.5 MPa.

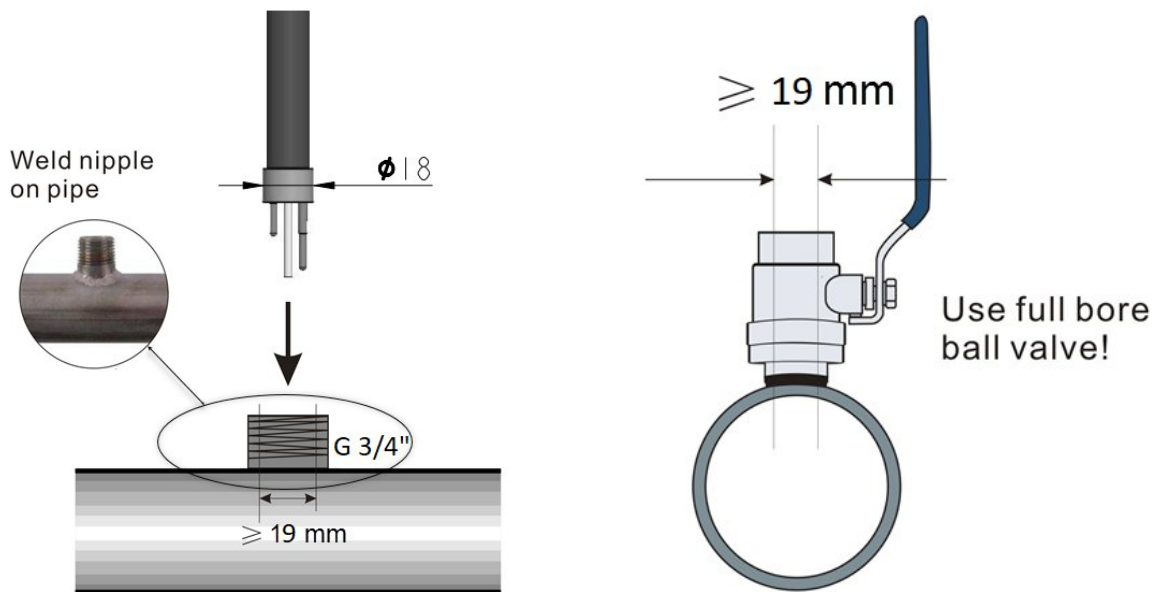
The output below is available.

A1560	2 x 4 ... 20 mA, Pulse/Alarm, Modbus/RTU
-------	--

9.1 Installation Requirements

To install the flow meter a ball valve or a nozzle is needed.

- The inner thread must be G 3/4".
- The diameter of the hole must be ≥ 19 mm. Otherwise, the shaft can not be inserted.



- The flow meter can be installed in any orientation (horizontal, vertical, side, and upside-down). Consider the needed straight inlet and outlet sections described in the section 8.1.

9.2 Installation Procedure

The following steps explain the procedure of an appropriate installation.



ATTENTION!

Do not insert the flow meter with strong force. The probe tip may strike the pipe's inner wall and causes the flow meter damaged!

9.2.1 Determine the Insertion Depth

The probe tip must be placed in the center of the pipe. For this, the probe shaft has a scale. To determine the right position please calculate the insertion depth as described below.

1. Calculate the insertion depth as below:

2. Read the insertion depth on the shaft as below:

Insertion depth = $x + y$

$x = \frac{OD}{2}$; *OD* is Outer Diameter of the pipe

$y =$ height of the ball valve

Example:

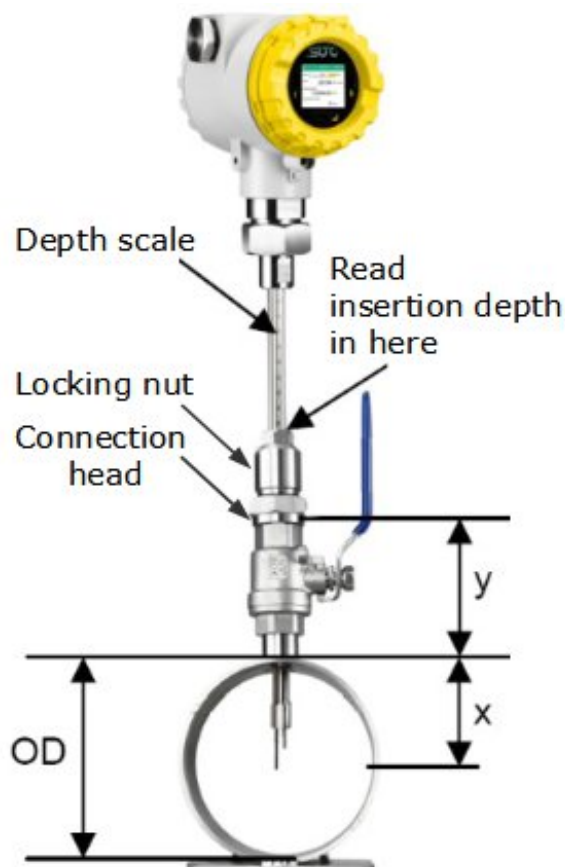
A 2"-diameter pipe and an 87 mm- height ball valve:

$OD = 60.3 \text{ mm}$

$x = \frac{OD}{2} = \frac{60.3 \text{ mm}}{2} = 30.15 \text{ mm}$

$y = 87 \text{ mm};$

Insertion depth
= $30.15 \text{ mm} + 87 \text{ mm} = 117.15 \text{ mm}$



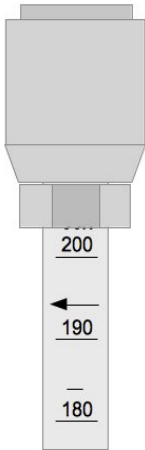
* The length of the locking nut and connection head has been deducted from the scale on the shaft.

For bigger pipe diameters (> 200 mm), the device can be installed with only a 100 mm insertion depth as the alternative. This allows one device to be used for all pipe sizes.

In this case, insertion depth = $y + 100 \text{ mm}$, where y is the height of the ball valve.

Note: To enable the 100 mm installation method, remember to change the installation method setting accordingly, using the S4C-FS service app or the optional device display.

9.2.2 Install the Flow Meter



First please observe the flow direction indicated on the shaft. It must match the flow direction of the compressed air or gas.

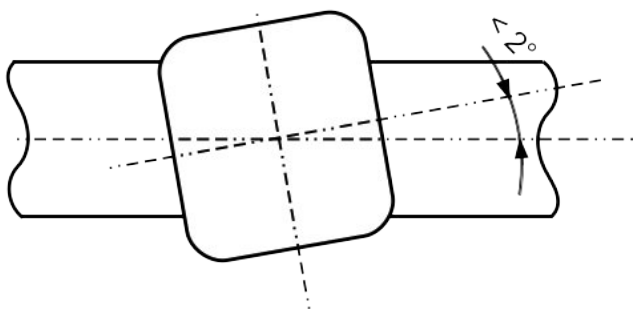


1. Turn off the ball valve.
2. The connection head must completely cover the probe tip (see the photo on the left).
3. Underlay the "O-shaped" sealing ring to the groove in the connection head.
4. Screw the connection head tightly to the ball valve
5. Align the flow meter with the flow direction by observing the flow direction indicated on the shaft.
6. Open the ball valve and tighten the clamp sleeve manually.
7. Move the flow meter slightly to the determined insertion depth using the scale.
8. Tighten the clamp sleeve at the connection head so that the pressure in the pipe can no longer move the flow meter. However, it should be possible to move the flow meter shaft by hand.
9. With the aid of the alignment key, make sure that the actual flow direction is the same as the arrow shown on the housing. (The angle deviation should not be larger than $\pm 2^\circ$ to the perfect position, see the picture on the next page.)

10. Tighten the clamp sleeve with the clamping torque 20 ... 30 Nm.

11. Check the installation depth again because sometimes the shaft is moved from its original position by the compressed air.

Maximum angle deviation of a proper installation:



9.2.3 Remove the Flow Meter

1. Hold the flow meter firmly.
2. Release the clamp sleeve from the connection head.
3. Pull out the shaft slowly until the value "10" can be read at the scale.
4. Turn off the ball valve.
5. Release the connection head and unscrew the flow meter.

9.2.4 Rotate the Display

The S451 is supplied with a display. The display is aligned with the flow direction from right to left. If the flowmeter is installed with the display facing the wall, the display can easily be rotated up to 180° to suit the actual requirements.

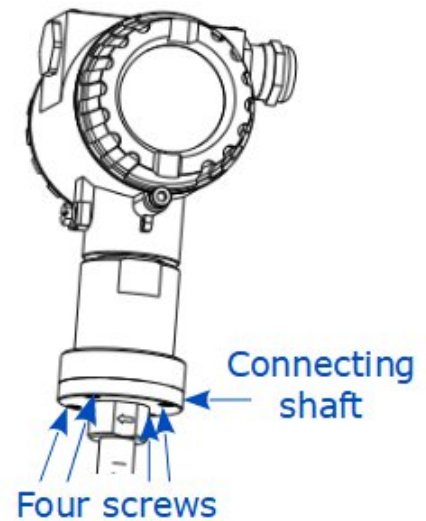
Notes: It is recommended that you only rotate the display 180° when it needs to be rotated, to ensure that the S451 operates stably and reliably.



ATTENTION!

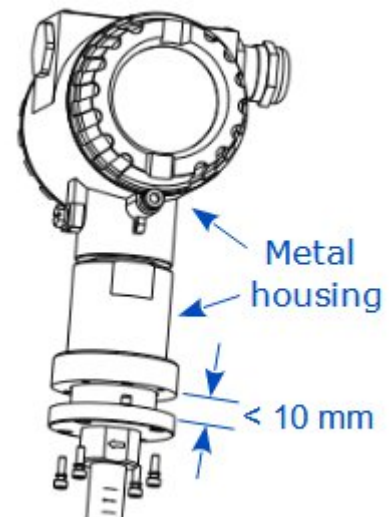
The operation of rotating the display must be performed strictly according to the following steps. Any other operation may result in damage to the product.

1. Use a hex wrench to loosen and remove the four screws and spring washers under the connecting shaft.



2. Take hold of the metal housing of the display unit and pull it slowly off the connecting shaft.

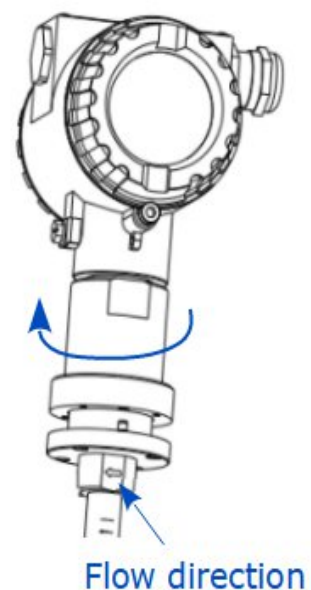
Note: To avoid damage to the internal wiring harness, the extraction length must be less than 10 mm.



3. Observe the flow direction marking on the measuring shaft and rotate the display housing by 180° in the direction of the gas flow.

Note: To prevent damage to the internal wiring harness, do not rotate it in the opposite direction or rotate it more than 180°.

4. Reassemble the metal housing onto the connecting shaft, ensuring the seal is in the seal groove of the connecting shaft.
5. Use a hex wrench to re-lock the 4 screws and spring washers.



Note: The lock washers must be fitted to prevent the product from coming loose.

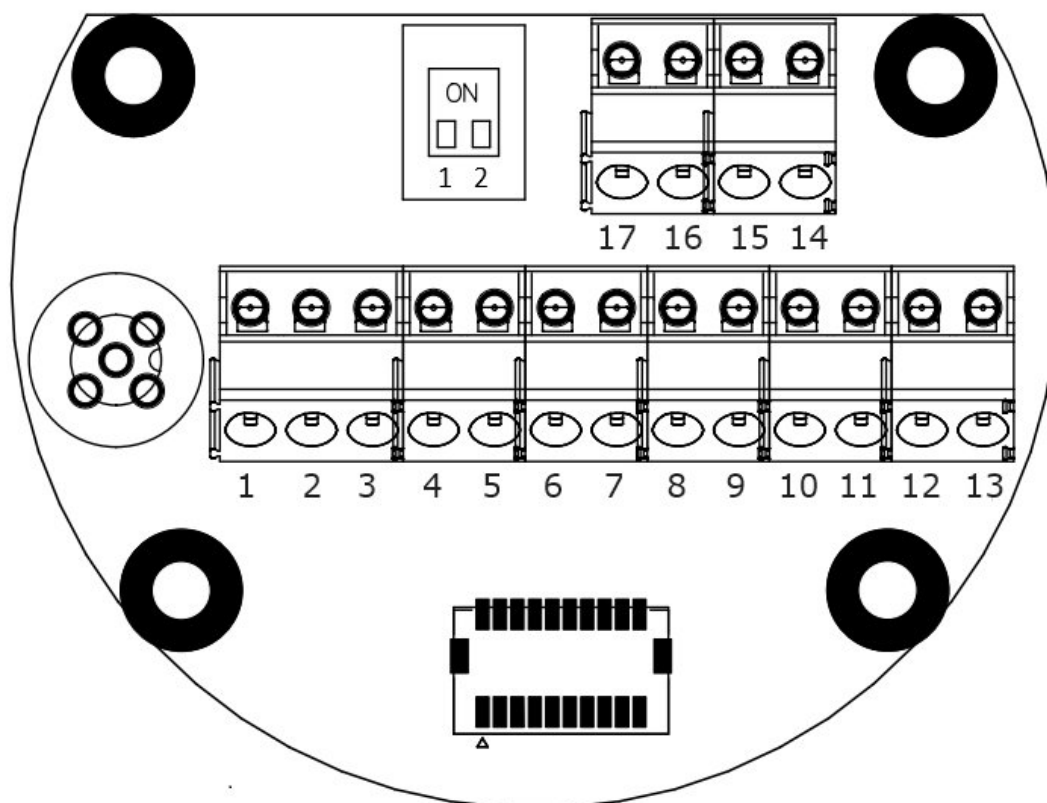
9.3 Electrical Connection

When installing the cables please consider following points:

- Keep the stripped and twisted length of the cable shield as short as possible.
- Screen and ground the signal lines.
- Unused cable entries must be closed with closers.
- The cable outer diameter should be between 6 and 8 mm.
- Single wire cross-section should be between 0.25 ... 0.75 mm².
- The thread size for the cable glands is M20 / 1.5.

9.3.1 Connection Diagram

Remove the back cover from the S451, and the pin layout is shown below.



9.3.2 Pin Assignment

The S451 provides 2 connection options. The pin assignment of these options is given in the following table.

Pin	Output options	Remarks
	Modbus/RTU	
1	Earth	
2	GND_SDI	
3	+V _B	24 VDC power supply
4	-V _B	
5	SDI	Digital interface SUTO iTEC sensor
6	D+	Modbus/RTU
7	D-	
8	GND	
9	+I ₁	4 ... 20 mA output 1
10	-I ₁	
11	+I ₂	4 ... 20 mA output 2
12	-I ₂	
13	Earth	
14	+Pulse/Alarm	Pulse / Alarm output
15	-Pulse/Alarm	
16	DIR	Flow direction input
17	DIR	

10 Signal Outputs

10.1 Analog and Pulse Outputs

The S451 comes with 2 analog outputs and one pulse/alarm output. All signals are electrically isolated.

10.1.1 Analog Output

The analog output is an active one.

Signal and load : 4 to 20 mA, $R_L < 400 \Omega$

Uncertainty : $< 0.3 \%$ of reading

Resolution : 0.005 mA

Uni-direction flow

Standard scaling is from 0 to max flow, as below.

Analog output	Output standard scaling
4 mA	0
20 mA	Max flow

In addition, the output supports variable flow. That is, the output can be scaled to match the desired measuring range. Specifically, users can correspond the 4 mA and 20 mA to any flow values separately.

Bi-direction flow

If the S451 is ordered with the bi-directional calibration the correspondence between the analog output and standard scaling is as follows:

Analog output	Output standard scaling
4 mA	Maximum flow reverse
20 mA	Maximum flow forward

The bi-direction also supports variable flow. The output can be scaled to match the desired measuring range.

10.1.2 Pulse / Alarm Output

The pulse/alarm output is a Normal Open (NO) isolated switch. Please consider the right polarity.

Max. rating: 30 VDC, 200 mA

Pulse width: 10 ... 100 msec (depending on the flow rate)

Pulse output

The maximum number of pulses per second is limited to 49.

In case the flow rate is too high, the S451 cannot output the pulses with default settings (one pulse per consumption unit). In this case, you can set the pulse to 1 pulse per 10 consumption units or 1 pulse per 100 consumption units, using the S4C-FS service app.

Example: With the setting of 1 pulse per 10 m³, the S451 sends one pulse each 10 m³.

Alarm output

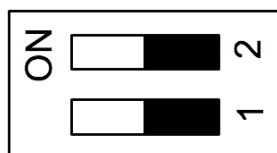
You can set alarms for the following channels:

- Flow(F)
- Actual Velocity(F)
- Temperature
- Flow(R)
- Actual Velocity(R)
- Pressure

For detailed settings, see the section 12.2 Alarm Settings.

10.2 Modbus/RTU Interface

The Modbus communication requires to activate terminal resistors at the last device on the bus system. If the S451 is the last device on the bus system, the DIP switches on the connector board should be set to the "ON" position.



Termination resistor switch

Device type	Slave
Address range	1 to 251 Bus address can be set through software
Physical interface	RS-485 under EIA/TIA-485 standard

Baud rates	1200, 2400, 4800, 9600, 19200, 38400, 57600, 115200 Baud
Transm. mode	ASCII, RTU
Response time	Direct data access = 0 to 255 ms (configurable)

The default Modbus communication settings are shown below.

Mode	RTU
Baud rate	19200
Device address	Last two digits of serial number
Framing / parity / stop bit	8, N, 1
Response time	1 second
Response delay	0 ms
Inter-frame spacing	7 char

Response message that the device returns to the master:

- Function code: 03

The information for the byte order is shown in the table below:

Byte Order	Sequence				Data Type
	1st	2nd	3rd	4th	
1-0-3-2	Byte 1 (MMMMMMMM*)	Byte 0 (MMMMMMMM *)	Byte 3 (SEEEEEEE)	Byte 2 (EMMMMMMM *)	FLOAT
1-0-3-2	Byte 1	Byte 0 LSB	Byte 3 MSB	Byte 2	UINT32 INT32
1-0	Byte 1 MSB	Byte 0 LSB	---	---	UINT16 INT16
1-0	Byte 1 XXX *	Byte 0 DATA	---	---	UINT8 INT8

* S: Sign, E: Exponent, M: Mantissa, XXX: no value

Explanations of MSB and LSB

MSB MSB refers to Most Significant Byte first, which follows the Big-Endian byte order.

For example, if the main system follows the MSB first order:

When the 4-byte floating number, in the order of Byte1-Byte0-Byte3-Byte2, is received from the slave (sensor), the master

must change the byte order to Byte3-Byte2-Byte1-Byte0 for the correct display of the value.

LSB LSB refers to Least Significant Byte first, which follows the Little-Endian byte order.

For example, if the main system follows the LSB first order:

When the 4-byte floating number, in the order of Byte1-Byte0-Byte3-Byte2, is received from the slave (sensor), the master must change the byte order to Byte0-Byte1-Byte2-Byte3 for the correct display of the value.

Remarks: Modbus communication settings as well as other settings can be changed by mobile App **S4C-FS**.

10.2.1 Modbus Holding Registers

Register address	Data type	Data Length	Channel description	R/W
System information				
2000	INT16U	2-Byte	Group ID: 1 (Occupying higher 4 bits in the 2-byte long data, the rest is reserved for future)	R
2001	INT16U	2-Byte	Device ID S451: 0x1013, S453 0x1014	R
2002	INT32U	4-Byte	Serial number	R
2004	INT16U	2-Byte	High byte of FW version, Low byte of HW version	R
2005	DOUBLE	8-Byte	Calibration date Format: BCD code, first byte is date, the second byte is month, the third byte is the first two digits of year, the fourth byte is last two digits of year. For example, 09.01.2024. the data is arranged as: 0x09, 0x01, 0x20, 0x24	R
2007	INT16U	2-Byte	Valid days from calibration date	R
2008	INT16U	2-Byte	Number of measuring channels	R
2009	string	16-Byte	Device name: "S451" or "S453"	R
Settings				
2100			Settings (max 50 holding register)	R/W
Channel value information				
2200	INT16U	2-Byte	Unit+Resolution+type of channel 1	R

2201	INT16U	2-Byte	Unit+Resolution+type of channel 2	R
...		
2207	INT16U	2-Byte	Unit+Resolution+type of channel 8	
...	Max 50 channels, depending on sensors	
Status and Channel value				
2300	INT16U	2-Byte	Status	R
2301	FLOAT / INT32U	2-Byte	Channel 1 Value	R
...		
2315	FLOAT / INT32U	2-Byte	Channel 8 value	R

10.2.2 Channel value information

Unit+resolution+type

- The first byte is for unit. The unit and its code are as below.

Parameter	Unit	Code
Temperature	°C	1
	°F	2
Velocity	m/s	10
	ft/min	11
Volumetric Flow	Sm ³ /h	14
	Sm ³ /min	15
	Sl/min	16
	Sl/s	17
	Scfm	18
	Nm ³ /h	19
	Nm ³ /min	20
	Nl/min	21
	Nl/s	22
	Ncfm	23

Parameter	Unit	Code
Consumption	Sm ³	24
	Sl	25
	Scf	26
	Nm ³	27
	Nl	28
Pressure	Ncf	29
	kPa	35
	MPa	36
	bar	38
Consumption mass	psi	39
	kg	47
Mass Flow	kg/h	52
	kg/min	53

- Second byte:

Bit7	Bit6	Bit5	Bit4	Bit3	Bit2	Bit1	Bit0
Data type:				Resolution:			
0 float,				0 0			
1 4-byte unsigned integer				1 0.0			
2 double				2 0.00			
				3 0.000			
				4 0.0000			

Status

It is defined at holding register address 2300. The highest bit (Bit15) is used to indicate if sensor settings have been changed by users. When this register is read by the master, the Bit15 is reset to zero. The other bits are used to indicate whether the measuring channel is OK or not.

Bit	Description
Bit15	0: sensor settings have been never changed since last reading from a master 1: sensor settings have been changed since last reading from a master
Bit0	0: measuring channel 1 is OK 1: measuring channel 1 is not OK
Bit1	0: measuring channel 2 is OK 1: measuring channel 2 is not OK
...	...
Bit7	0: measuring channel 8 is OK 1: measuring channel 8 is not OK

Channel value

Channel value is arranged from channel 1 to channel 50 (Max). The length and data type are defined in the section of Unit+Resolution+type. A maximum of 50 channels is supported.

Register address	Data type	Channel No.	Description	R/W
2301	FLOAT	Channel 1	Flow	R
2303	FLOAT	Channel 2	Actual Velocity	R
2305	INT32U	Channel 3	Consumption	R

2307	FLOAT	Channel 4	Flow (R)	R
2309	FLOAT	Channel 5	Actual Velocity (R)	R
2311	INT32U	Channel 6	Consumption (R)	R
2313	FLOAT	Channel 7	Pressure	R
2315	FLOAT	Channel 8	Temperature	R

Channel, unit, resolution and type

Register address	Channels	Unit	Resolution	Type
2200	Flow	Sm ³ /h, Scfm, Sl/min, kg/h, Nm ³ /h, Ncfm, NI/min, m ³ /h, cfm, l/min	0.1	Float
		Sm ³ /min, Sl/s, kg/min, Nm ³ /min, NI/s, m ³ /min, l/s	0.01	
		kg/s	0.001	
2201	Velocity	ft/min	0	Float
		m/s	0.1	
2202	Consumption	Sm ³ , Sl, kg, Scf, Nm ³ , NI, Ncf, m ³ , l, cf	0	INT32U
2203	Flow(R)	Sm ³ /h, Scfm, Sl/min, kg/h, Nm ³ /h, Ncfm, NI/min	0.1	Float
		Sm ³ /min, Sl/s, kg/min, Nm ³ /min, NI/s	0.01	
		kg/s	0.001	
2204	Velocity(R)	ft/min	0	Float
		m/s	0.1	
2205	Consumption(R)	Sm ³ , Sl, kg, Scf, Nm ³ , NI, Ncf	0	INT32U
2206	Pressure	psi	0.1	Float
		bar, MPa	0.01	
2207	Temperature	°C, °F	0.1	Float

10.2.3 Specific Settings for Gas Flowmeters

Register address	Data type	Description	R/W
2100	Float	Inner diameter in millimeters (Read only for inline type)	R/W
2102	INT16U	Gas type	R/W
2103	INT16U	Calibration gas 1, always air	R
2104	INT16U	Calibration gas 2, alternative gas	R
2105	Float	Reference temperature	R/W
2107	Float	Reference pressure	R/W
2109	Float	End range in m/s or ft/min (read-only)	R
2111	Float	User slope (limit range from 0.5 to 1.5)	R
2113	Float	Cutoff velocity in m/s or ft/min	R
2115	INT16U	Filter grade	R/W
2116	INT16U	Flow unit	R/W
2117	INT16U	Consumption unit	R/W
2118	INT16U	Pressure unit	R/W
2119	INT16U	Temperature unit	R/W
2120	INT16U	Routing of analog channel 2 (pressure or temperature) 0 pressure, 1 temperature Analog channel 1 is always for flow	R/W
2121	Float	4-20 mA scaling of channel 1 lower value	R/W
2123	Float	4-20 mA scaling of channel 1 Higher value	R/W
2125	Float	4-20 mA scaling of channel 2 lower value	R/W
2127	Float	4-20 mA scaling of channel 2 Higher value	R/W

Coding of Calibration/Operation gas type

Gas type	Code	Gas type	Code
Air	0	Propane	7
N ₂	1	Butane	8
Ar	2	O ₂	9
CO ₂	3	N ₂ O	10
He	4	Nat. gas	11

H ₂	5
CH ₄	6

Mixed gas	12
-----------	----

Notes:

1. Scaling adjustment analog output

When flow units or reference conditions change, the scaling of analog output will be changed automatically by the flow meter. The relevant unit might be also changed; see the next note for details.

2. Unit relationship

When changing the flow unit, the relevant consumption and velocity units are automatically also changed. The same applies if the velocity unit or consumption units are changed.

Flow unit	Consumption unit	Velocity unit
Sm ³ /min, Sm ³ /h Nm ³ /min, Nm ³ /h m ³ /min, m ³ /h	Sm ³ Nm ³ m ³	m/s
Scfm Ncfm cfm	Scf Ncf cf	ft/min
kg/h, kg/min, kg/s	kg	m/s
Sl/min, Sl/s Nl/min, Nl/s l/min, l/s	Nl Sl l	m/s

3. Pressure / Temperature units change and analog scaling

When pressure or temperature units are changed, the corresponding scaling will also be changed automatically.

4. Flow units change and reference conditions

When flow units are changed, the reference condition will not be changed automatically, they need to be changed manually.

5. Error handling of commands

If there is any invalid setting performed the flow meter will respond to the function code with MSB set to 1. In the data field, there are error codes: 01 illegal function code, 02 illegal data address, 03 illegal data value.

10.3 Modbus/TCP Interface

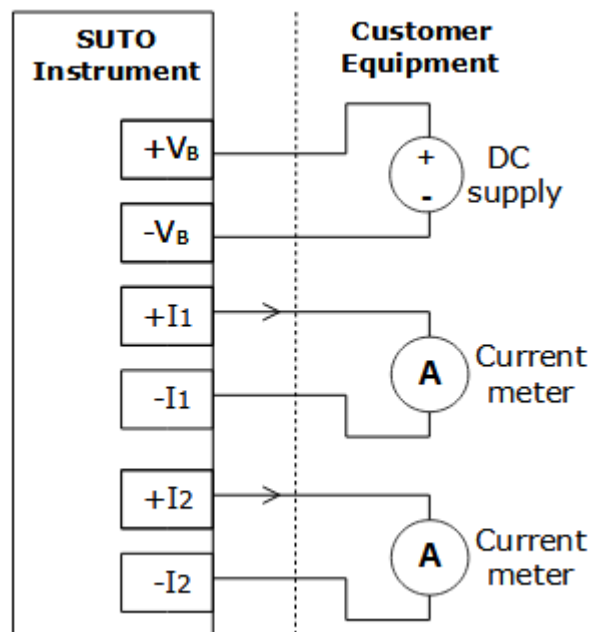
SUTO iTEC provides an external module as the Modbus/TCP interface converter. If you need the function, contact the manufacturer.

10.4 Connection between S451 and Customer Equipment

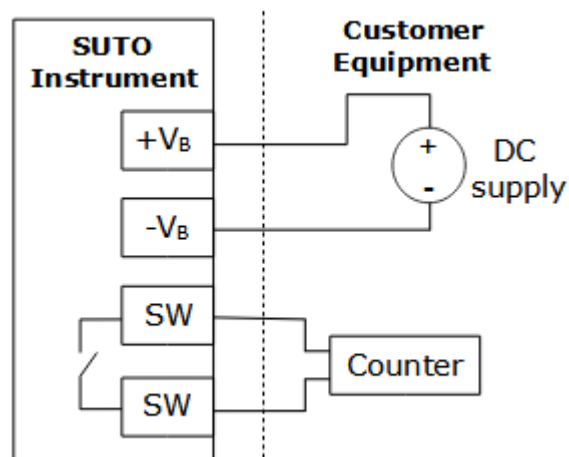
This section provides figures to show how outputs supported by the S451 connect with the customer equipment.

In the following figures, the **SUTO Instrument** indicates the S451.

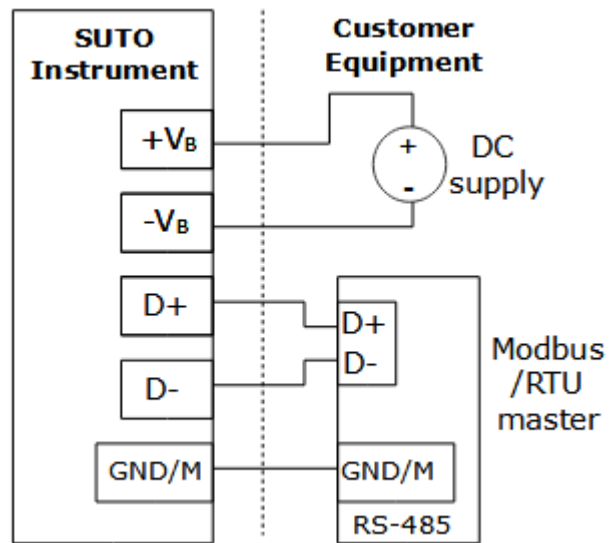
Two analog outputs
(Isolated)



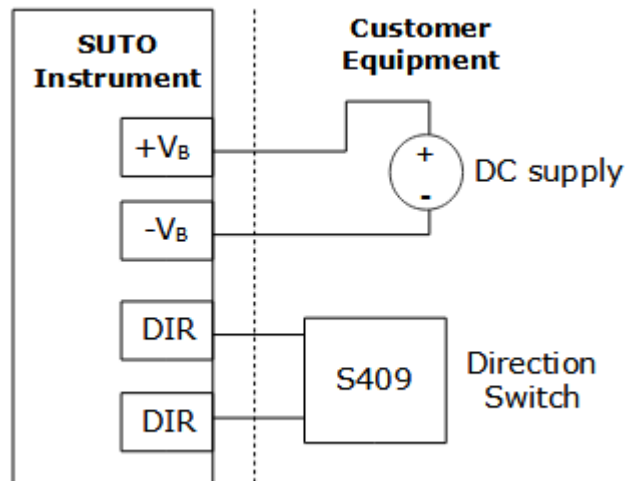
Pulse / Alarm output



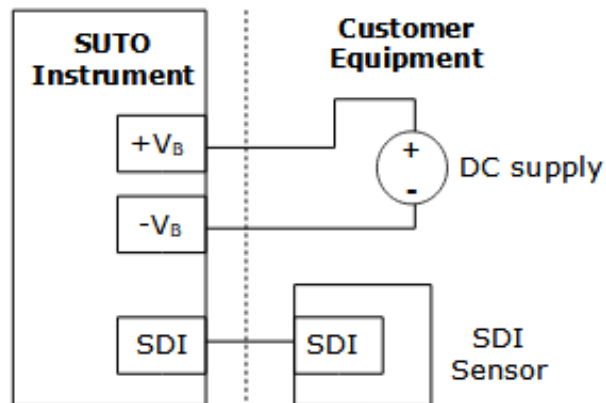
Modbus/RTU



Direction input



SDI



11 Operation Using the Display

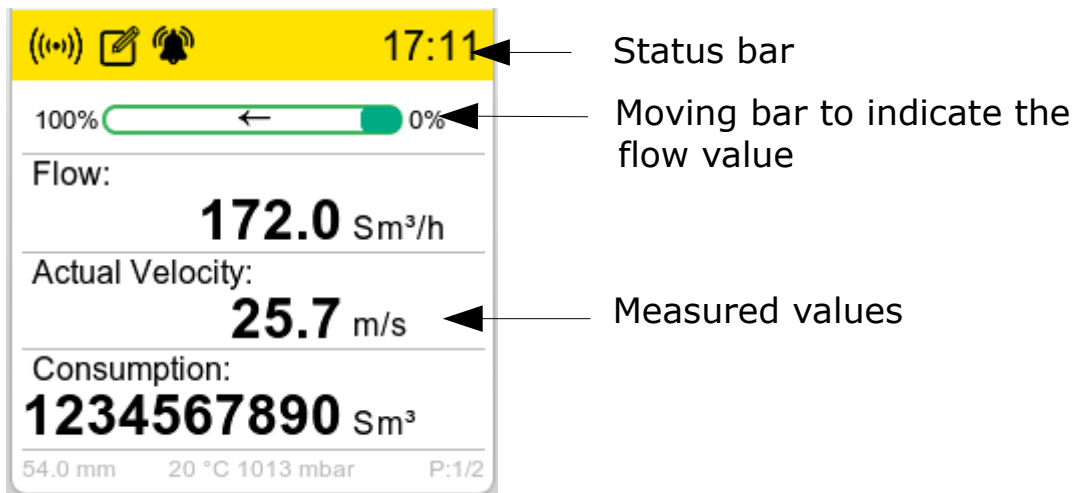
Using the display, you can do the following:

- View all available measurement channels.
- View error/status information.
- Change sensor settings.

11.1 Information on the Display

11.1.1 Home Page

After powered up, the display starts an initialization procedure. After completing it enters the standard mode, showing the online values as below.






Three optical keys on the S451 are available for operation.




11.1.2 Icons Shown in the Status Bar

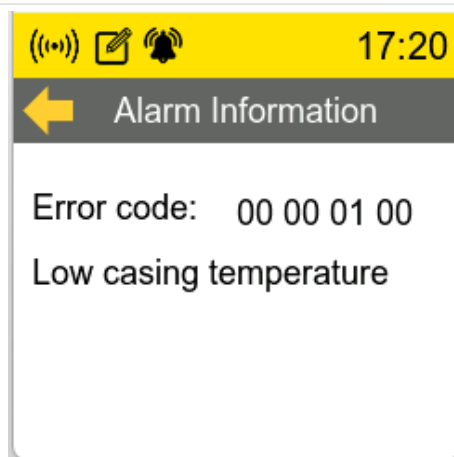
Icons in the status bar indicate the status or warnings for the device.

Icon	Explanation
	A wireless connection is established between the S451 and the mobile phone.
	The integrated logger is enabled.
	An alarm is raised.

11.1.3 Alarm and Error Code

When an alarm is raised, the alarm icon  comes up in the status bar. To see the details of the raised alarm, do the following:

1. Press the **Enter** button on the S451, then the **Menu** page shows on the display.
2. On the **Menu** page, click **Information > Alarm information**.
The alarm's error code and description show on the screen, as in the picture below.



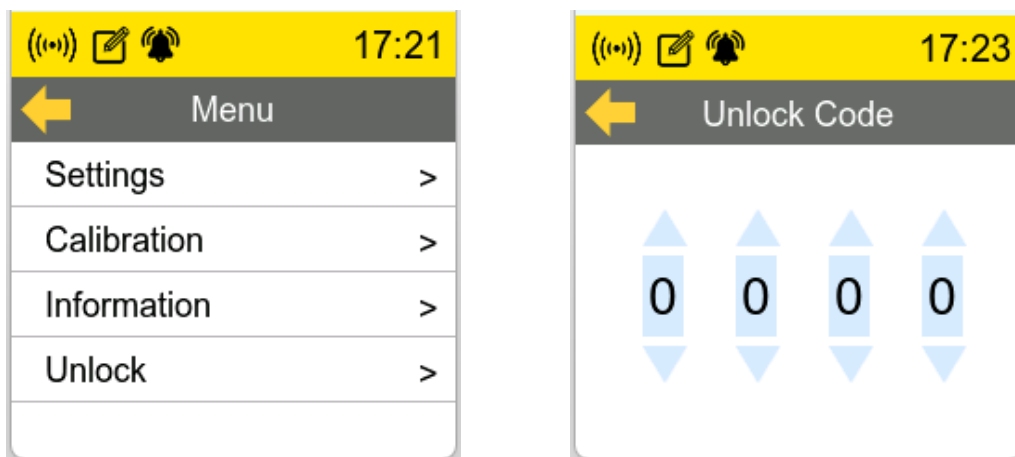
All alarm error codes and their meanings are as follows.

Error code	Description
00 00 00 01	EEPROM communication error
00 00 00 02	ADC communication error
00 00 00 04	Option board communication error
00 00 00 08	Wireless communication error
00 00 00 10	Temperature sensor communication error
00 00 01 00	Low casing temperature
00 00 02 00	High casing temperature
00 00 04 00	Low media temperature
00 00 08 00	High media temperature
00 01 00 00	PT20 sensor broken

00 02 00 00	PT1000 sensor broken
00 04 00 00	PT20 sensor shorten
00 08 00 00	PT1000 sensor shorten
01 00 00 00	Consumption checksum error

11.2 Operation

By pressing the **Enter** key on the S451, the **Menu** page comes up.



To perform any settings or calibration, you must enter a 4-digit password under the **Unlock** menu.

Note: The initial password is the last four digits of the serial number of your S451.

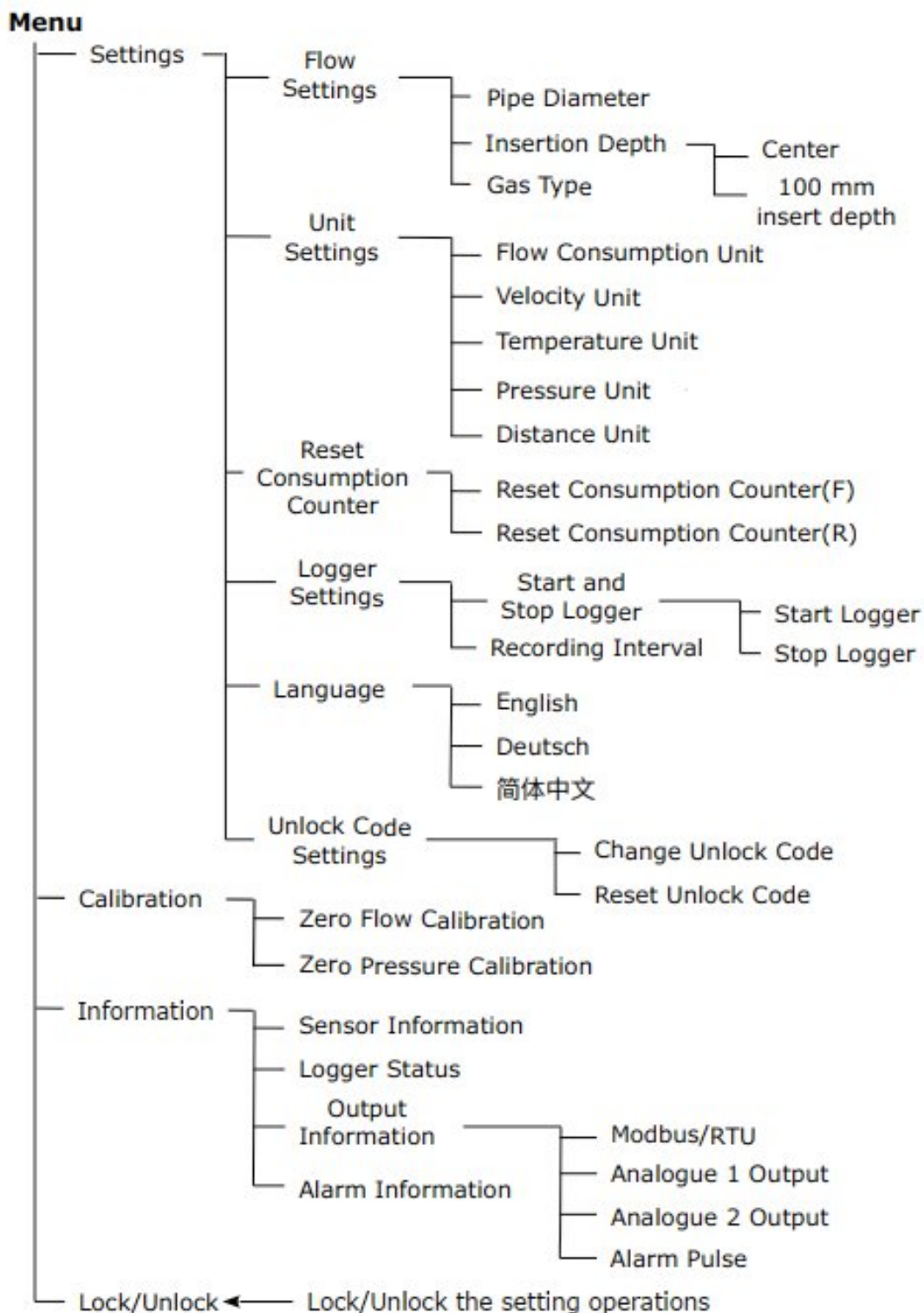
If the operation has stopped for more than 3 minutes, the password is reset and has to be entered again. Normally if there is no operation happening for more than 3 minutes, the display jumps back to the main screen.

Note: Following settings are at the moment not available on the display, but only on the mobile App:

- Alarm settings
- Measurement: Reference conditions, Flow direction, Consumption counter
- Output settings for analog, pulse, and Modbus
- Default values of all above settings

For details, see chapter 12 Configuration Using S4C-FS App.

11.3 Menu Map



12 Configuration Using S4C-FS App

12.1 Configurable Parameters

The S451 enables you to configure parameters according to on-site requirements. The table below gives an overview of the available settings.

Parameters	Available settings	Default		
Measurement	Tube diameter	54.0		
	Flow unit	Sm ³ /h		
	Consumption unit	Sm ³		
	Reference conditions	P _s = 1000 hPA, T _s = 20°C		
	Gas type selection	Air		
	Consumption counter	0 Sm ³		
	Flow direction	Standard		
Analog output 1	Measurement channel	Flow		
	Scaling		4 mA	20 mA
		Uni-direction	Zero flow	Max flow
		Bi-direction	Max flow R	Max flow F
		Variable	Any flow	Any flow
Analog output 2	Measurement channel	Medium pressure		
	Scaling	4 mA: 0.00 MPa 20 mA: 1.6 MPa or 5.0 MPa Or Medium temperature 4 mA: -40°C 20 mA: +140°C		
Pulse output	Pulse / Alarm	Pulse		
	Pulses/consumption unit	1		
Modbus	Device address	1		
	Baudrate	19200		
	Framing/parity/stop bit	8, N, 1		
	Transmission mode	RTU		

To configure S451 settings, use the mobile App **S4C-FS** for the full settings or the local display for the most common settings.

12.2 Alarm Settings

Parameter	Description	Settings
Alarm setting	Indicate if the alarm is enabled or disabled.	: disabled : enabled
Select channel	Select a channel for alarm settings.	- Flow(F) - Actual Velocity(F) - Flow(R) - Actual Velocity(R) - Temperature - Pressure
Select Alarm	Low Alarm: indicates an alarm with a lower threshold. High Alarm: indicates an alarm with a higher threshold.	- Low Alarm - High Alarm
Threshold	The threshold and hysteresis are used to activate or deactivate an alarm. For Low Alarm, when the channel value \leq threshold, the low alarm is activated. When the channel value $>$ (threshold + hysteresis), the low alarm is deactivated.	Default threshold=0
Hysteresis	For High Alarm, when the channel value \geq threshold, the high alarm is activated. When the channel value $<$ (threshold - hysteresis), the high alarm is deactivated.	Default hysteresis=0

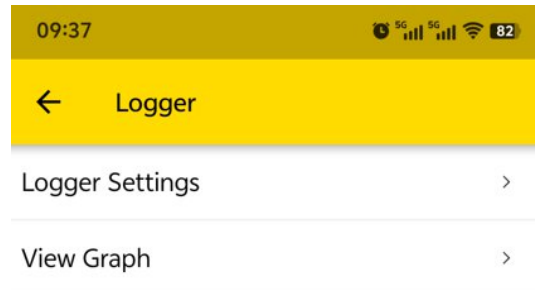
12.3 Data Logger Settings

The flow meter comes with a data logger, and you can use the S4C-FS to change logger-related settings, view the graphic of measurement data, and export data in a file format.

Note: The capacity of the data logger is 1,200,000 lines. For example, when the sampling rate is 1 sample/sec, the data logger can store data records for 13 days.

12.3.1 Configure Logger Parameters

1. On the S4C-FS App, follow the path **Settings > Logger > Logger Settings** to enter the logger settings page.



2. Set or view data logger parameters as shown in the table below.

Parameter	Explanation	Logger setting page
Start / Stop Logger	To enable or disable the logger function.	<p>The screenshot shows the 'Logger Settings' page. It has a yellow header with a back arrow and 'Logger Settings'. Below are several settings: 'Start/Stop Logger' with a toggle switch turned on; 'Start Date Time' set to '2024-12-26 18:43'; 'Stop Date Time' set to 'RUNNING'; 'Num. of Samples' set to '1199999'; and 'Sampling Rate (mm:ss)' with input fields for '00' and '00' and a 'Set' button.</p>
Start Date & Time	To view the start date and time for sampling.	
Stop Date & Time	To view the stop date and time for sampling.	
Number of Samples	To view number of the data samples that the flow meter has logged.	
Sampling Rate (mm:ss)	To configure the sampling interval.	

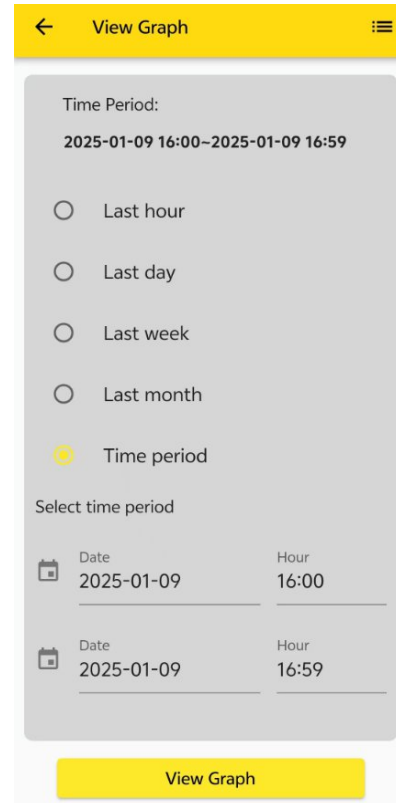
Note: When logger is started, it is not allowed to change any settings on either the device GUI or the S4C-FS app. If you try to change settings during logger running, the message “settings not allowed be change while logger is running” is displayed.

12.3.2 View Data Graph

On the S4C-FS App, follow the path **Settings > Logger > View Graph** to enter the view graph page.

1. Select the time period for which you want to view the graph. You can select the following time periods:
 - Last hour
 - Last day
 - Last week
 - Last month
 - Custom time period
Users can select a specific start and end time.


2. Click **View Graph** to view the graph in your selected time period.



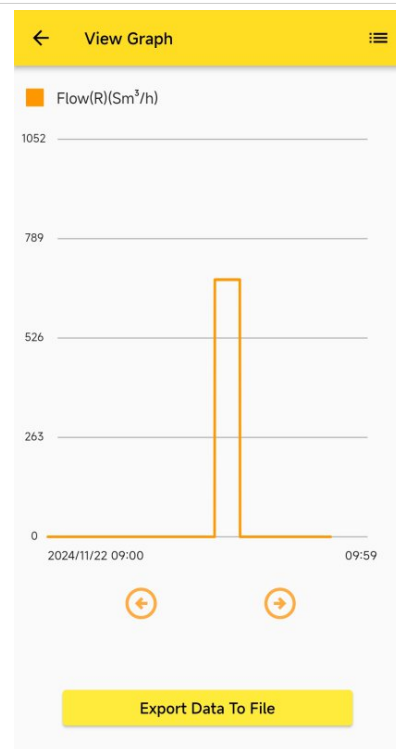
In the graph:

- Y-axis indicates recorded data.
- X-axis is the time axis.


The time period definition complies with the time standard ISO 8601 (YYYY/MM/DD hh:mm).

Click the top-right button  to select a channel for displaying, and one channel is shown each time.



Click  or  to move the time span.




12.3.3 View Consumption Graph

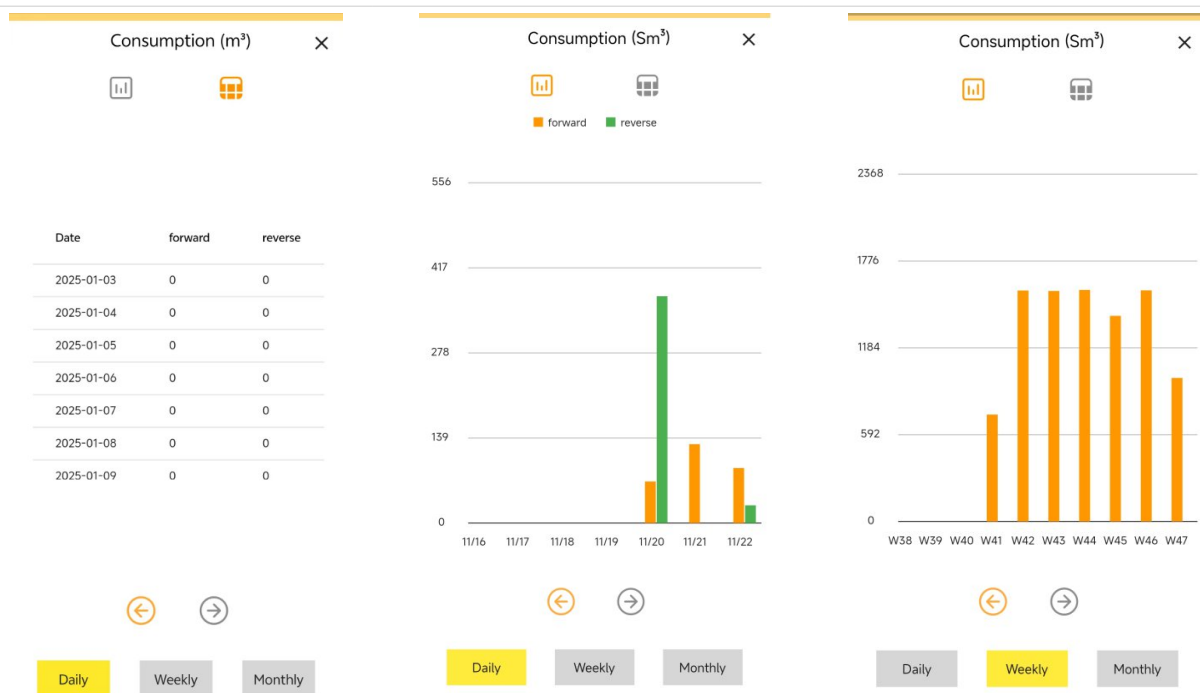
Click the bar graph icon  on the S4C-FS **Online** page to enter the consumption graph page. You can view the consumption by selecting daily, weekly, monthly.

- Daily: Shows the data in the latest 7 days (not include today).

Click  to move one day forward, and click  to move one day backward.

- Weekly: Shows the data in the latest 10 weeks.
- Monthly: Shows the data in the latest 12 months.

Click the table icon , the data shows in a table.



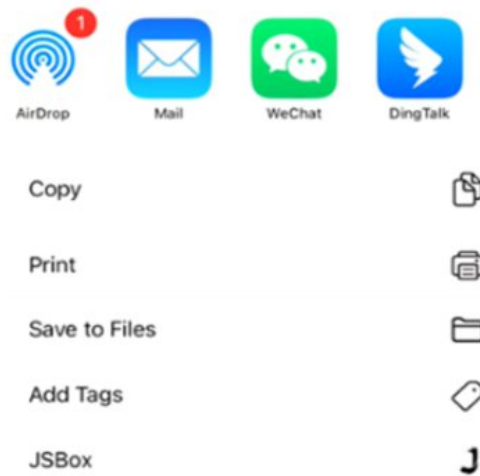
12.3.4 Export Data in a File

- You can export measurement data in the *.csd* or *.csv* file format.
- You can open the *.csd* file by using the SUTO iTEC S4A software. The *.csd* is the private file format of SUTO iTEC.
- You can open the *.csv* file by the generic software, such as Microsoft office Excel.
- The exported file has a default name, and you can rename it.

1. Click **Send by** to call related OS Apps, such as email, Wechat to send the file.



2. On your OS app, a message asks you for confirmation:
 - o Click **Ok** to send the file.
 - o Click **Cancel** not to send the file, and stop on the current page.

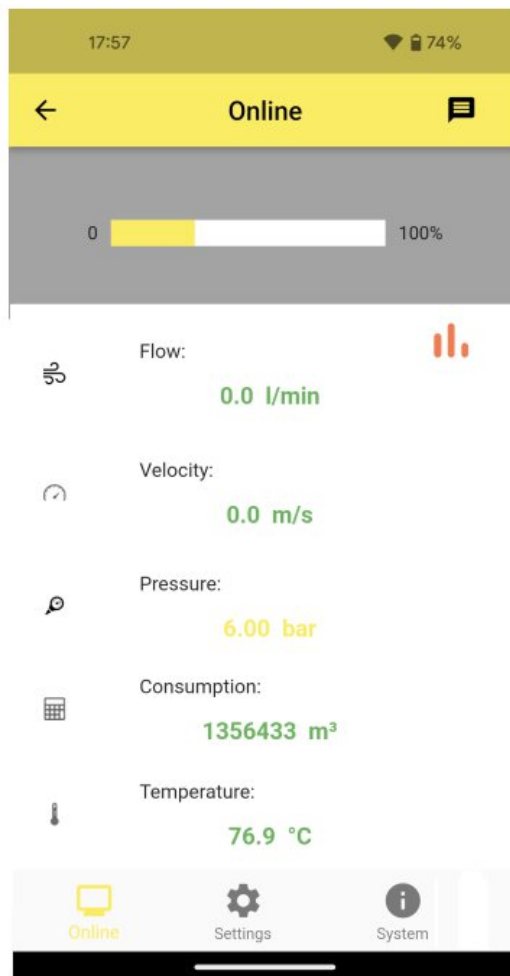


12.4 Use the Service App S4C-FS

The S4C-FS is an Android or iOS-based App that enables you to view online measurements and change settings for SUTO iTEC flow meters wirelessly.

Download S4C-FS from the Google Play Store, the Apple Shop or SUTO iTEC website, and install it as you do for any apps on your mobile phone.

For more information about the introduces of the sensor settings, see the *S4C-FS Instruction and Operation Manual*, which you can download from the SUTO iTEC website www.suto-itec.com (Download > Search: S4C-FS).



ATTENTION!

Improper changes in the settings might lead to wrong measurement results! Contact the manufacturer if you are not familiar with the settings.

13 Calibration

The instrument is calibrated ex-work. The exact calibration date is printed on the certificate which is supplied together with the instrument. The accuracy of the instrument is regulated by the on-site conditions, parameters like oil, high humidity or other impurities can affect the calibration and furthermore the accuracy. However it is recommended to calibrate the instrument at least once per year. The calibration is excluded from the instrument's warranty. For this please contact the manufacturer.

14 Maintenance

To clean the instrument, it is recommended to use distilled water or isopropyl alcohol only. If the contamination can not be removed the instrument must be inspected and maintained by the manufacturer.

15 Disposal of Waste



Electronic devices are recyclable materials and do not belong in household waste.

The device, the accessories, and its packings must be disposed of according to your local statutory requirements. The disposal can also be carried by the manufacturer of the product. Please contact the manufacturer for details.

SUTO iTEC GmbH

Grißheimer Weg 21
D-79423 Heitersheim
Germany

Tel: +49 (0) 7634 50488 00
Email: sales@suto-itec.com
Website: www.suto-itec.com

SUTO iTEC (ASIA) Co., Ltd.

Room 10, 6/F, Block B, Cambridge Plaza
188 San Wan Road, Sheung Shui, N.T.
Hong Kong

Tel: +852 2328 9782
Email: sales.asia@suto-itec.com
Website: www.suto-itec.com

SUTO iTEC Inc.

5460 33rd St SE
Grand Rapids, MI 49512
USA

Tel: +1 (616) 800-7886
Email: sales.us@suto-itec.com
Website: www.suto-itec.com

SUTO iTEC (Thailand) Co., Ltd.

91/66 Suwinthawong Rd,
Minburi Bangkok 10510
Thailand

Tel: +66 (0)2108 9658
Email: sales.th@suto-itec.com
Website: www.suto-itec.com