

# S415 Thermal Mass Flow Meter (Inline)

## 1 Introduction

This quick user guide contains all instructions and safety information for operating and using the S415 Thermal Mass Flow Meter.



This guide is intended for qualified personnel involved in the operation of the S415.

Make sure you have fully read and understood the instructions before using the S415.



For more information, scan the QR code to see the instruction manual.

### Symbols conventions

Symbol	Description
	<b>Warning!</b> Explosions or sudden releases of compressed air may occur.
	<b>Warning!</b> Electricity. Take care to avoid coming into contact with electricity.

## 3 Delivered components

S415



5 m cable with a M8 connector



Quick User Guide



Calibration Certificate



**WARNING**

Indicates a hazardous situation which, if not avoided, could result in death or serious injury.

## 2 Safety instructions

- WARNING**

  - Only authorized and qualified personnel are permitted to install the device.
  - Never disassemble the device.
  - Always use proper tools for the installation of the device.
  - Do not exceed the maximum permitted pressure (see label on the device).
  - Always use the proper power supply (see label on the device).
  - Do not exceed the maximum operation temperature.
  - Avoid direct UV and solar radiation during storage.
  - Always keep the storage temperature of the device is between -10 ... +50°C.
  - Always keep the storage humidity of the device < 90% rH with no condensation.

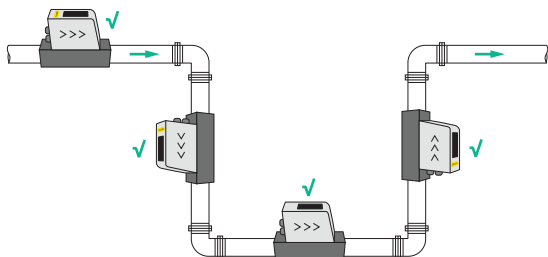
The additional components are included as per your order.

## 4 Installation

### ⚠ ATTENTION

The flow meter is not explosion-proof. Do not install it in places with explosion-proof requirements.

#### Installation orientation



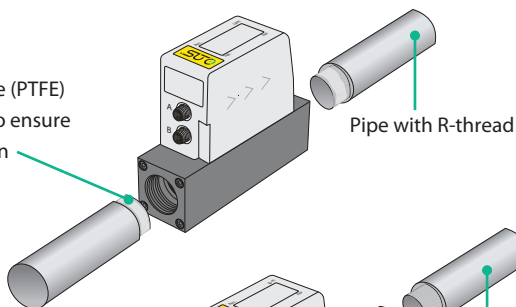
### ⚠ ATTENTION

- The flow meter must be protected from solar radiation and rain at an outdoor installation.
- Do not install the flow meter in a wet environment such as the place after a compressor outlet.
- The S415 can be installed in horizontal or vertical pipes.

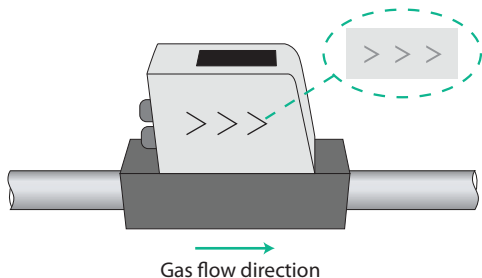
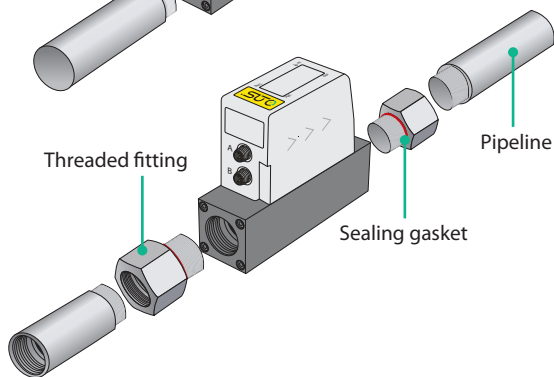
#### Installation orientation

##### Recommended installation

Wrap sealing tape (PTFE) around threads to ensure a tight connection



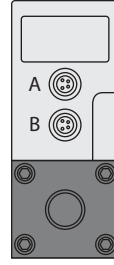
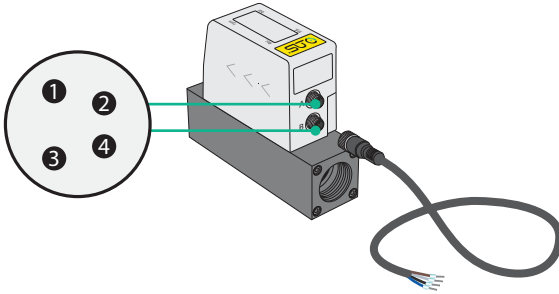
##### Optional installation



### ⚠ ATTENTION

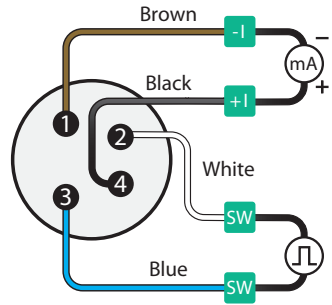
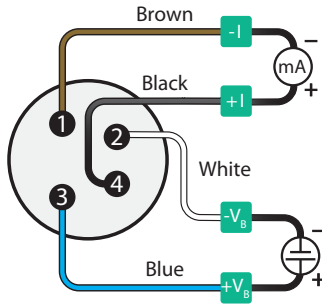
- The flow direction of gas in the pipe must be the same as the direction of the arrow on the meter.
- It is recommended to have a straight pipe section with an inner diameter of 3 to 5 times the pipe diameter at the inlet.

# 5 Electrical connection

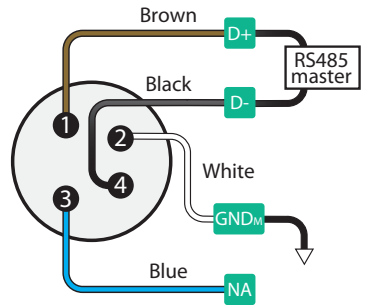
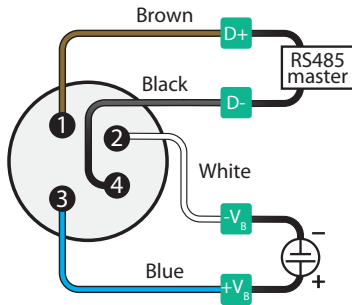


Output	Connector A	Connector B
--------	-------------	-------------

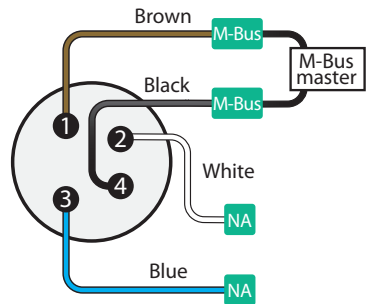
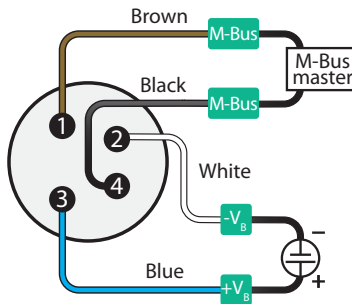
4 ... 20 mA+ pulse



Modbus/RTU

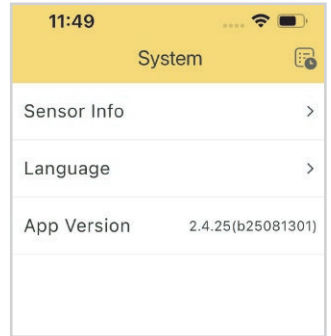
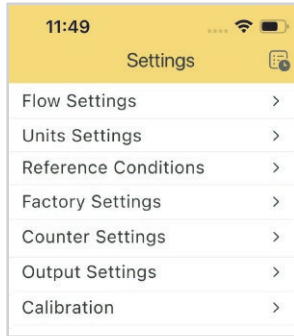
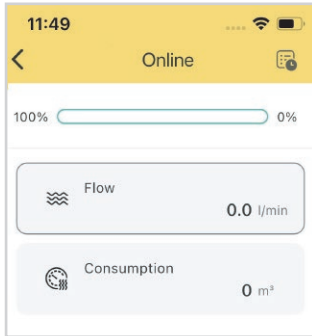


M-Bus

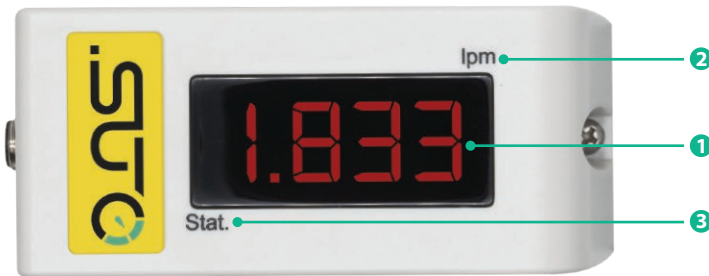


## 6 Configuration

Configure the S415 using the S4C-FS App.



## 7 Operation



- 1 Display: displays the volumetric flow or error code.
- 2 lpm LED: when it is on, the display is showing the volumetric flow.
- 3 Stat. LED: when it is on, the wireless connection is established.

[www.suto-itec.com](http://www.suto-itec.com)

### EMEA Office

Heitersheim, Germany  
+49 (0) 7634 50488 00  
sales@suto-itec.com

### Asia/Pacific Office

Hong Kong  
+852 2328 9782  
sales.asia@suto-itec.com

### China Office

Shenzhen, China  
+86 (0) 755 8619 3164  
sales.cn@suto-itec.com

### North America Office

Grand Rapids, USA  
+1 (616) 800-7886  
sales.us@suto-itec.com