

Installation Guide

S606 External Relay Module



1 Introduction

The relay module provides eight relay outputs to meet your needs for additional relays.

If you are planning to add a relay module to an existing S606, you will need to install the module inside the cabinet and complete the necessary wiring and configuration.

The manual describes the installation, wiring, and configuration for the relay module.

Note: Before doing this, disconnect the S606 from the power supply. Power it up when you are finished.

The power switch is located on the right side of the cabinet.

1.1 Technical Data

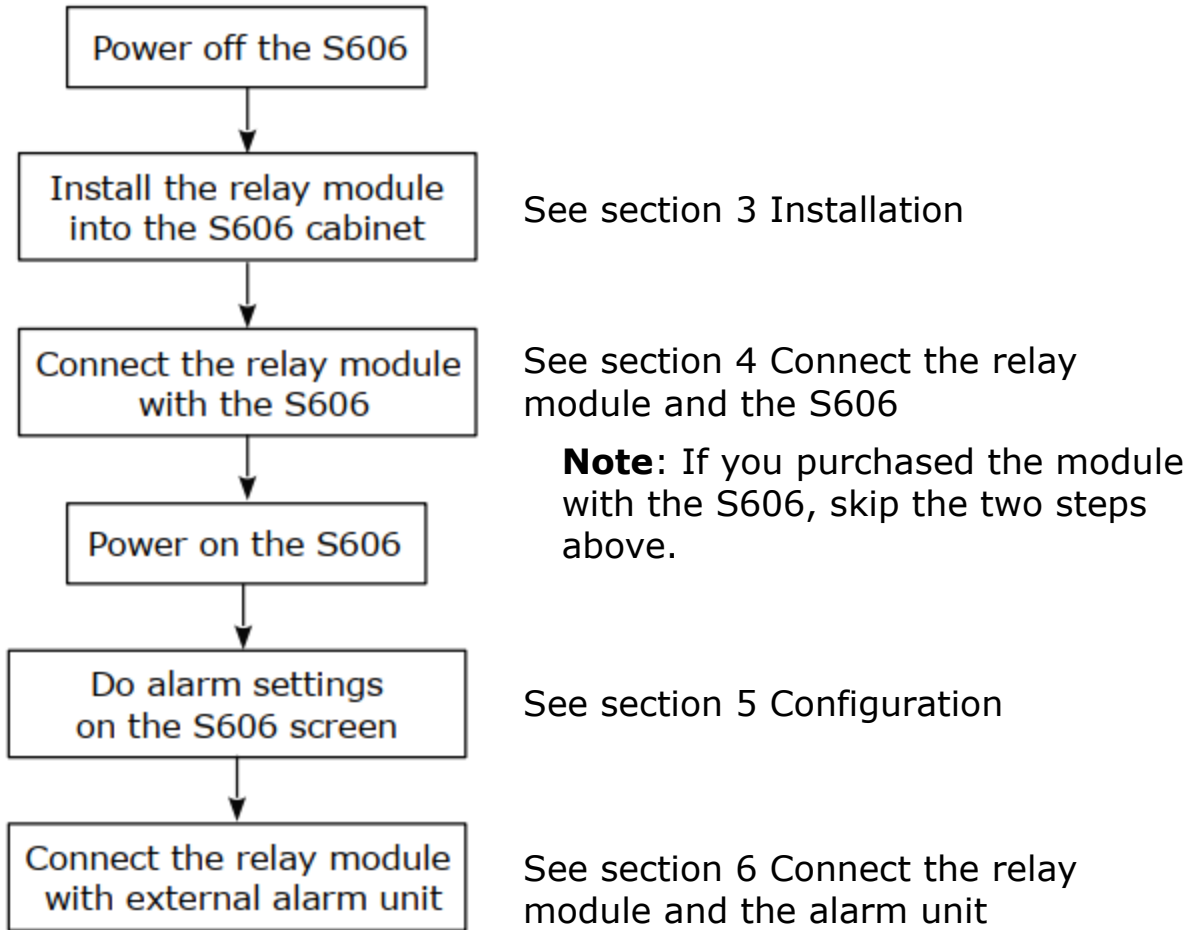
General	
Power consumption	1.8 W @ 24 V DC
Output	8 relays
Relay output	
Contact rating (Resistive)	0.5 A @ 120 VAC 0.25 A @ 240 VAC 1 A @ 30 VDC 0.3 A @ 110 VDC
Breakdown voltage	750 V AC (50/60 Hz)
Initial insulation resistance	1 G Ω min. @ 500 V DC
Relay response time (Typical)	Off: 1 ms On: 3 ms
Total switching time	10 ms
Frequency of pulse output	100 Hz
Maximum operating speed	50 operations/min (at related load)

1.2 Ordering number

The ordering number of the relay module is A1510.

2 Operation Procedure

Follow steps below to install the external module and do alarm settings.

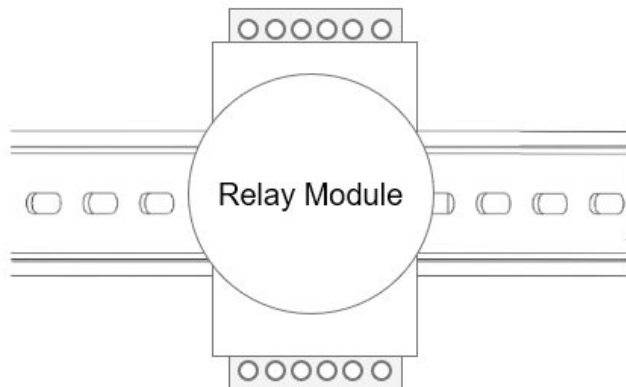


3 Installation

A space for the relay module has been reserved inside the S606 cabinet, as shown in the picture.



The relay module is rail-mounted. Install it in the designated location.



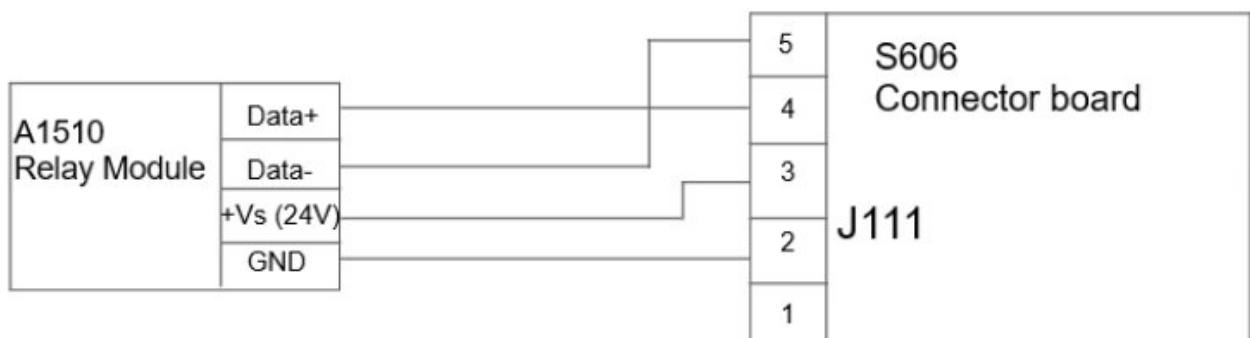
4 Connect the relay module and the S606

The relay module is powered by and communicates with the S606 through the connector board located inside the S606. The relay module must be connected to the connection board.

Two cables are supplied with the relay module. The one shown below is used to connect the relay module and the connector board of the S606.



Use the supplied cable to connect the relay module to the connector board according to the diagram below.



5 Configuration

After connecting the relay module with the S606, power on the S606, then do alarm settings on the S606 screen.

Click **Menu** > **Alarm** > **Alarm Settings** to enter the alarm setting page.

System pressure:0.00 bar STOP 16:49
56% 2023/11/14

Alarm setting

Relay module (Extension) Enable Summary alarm (Built-in) Enable

Channel	Unit	Threshold	Hysteresis	Relay	Pending
Summary alarm				Relay 7	<input type="checkbox"/>
O2 High	%	22.0	0.220	Relay 0	<input type="checkbox"/>
CO2 High	ml/m ³	500.0	5.000	Relay 1	<input type="checkbox"/>
CO High	ml/m ³	5.0	0.050	Relay 2	<input type="checkbox"/>
H2O High	mg/m ³	25.0	0.250	Relay 3	<input type="checkbox"/>

< Back Home Camera Save >

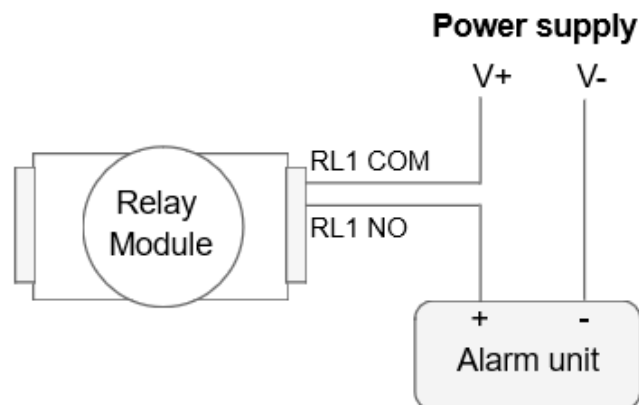
Note: If **Ext. relay 0 ... Ext. Relay 7** does not present in the drop-down menu of the **Relay** column, it means that the relay module has not been connected successfully. You need to power off and check the wiring.

The relay name marked on the relay module is inconsistent with the name displayed on the 601 interface. Mappings between them are as follows.

Name on the S601 screen	Name on the relay module
Ext. relay 0	RL 0
Ext. relay 1	RL 1
Ext. relay 2	RL 2
Ext. relay 3	RL 3
Ext. relay 4	RL 4
Ext. relay 5	RL 5
Ext. relay 6	RL 6
Ext. relay 7	RL 7

6 Connect the relay module and the alarm unit

The example below shows a DC alarm unit wiring.



SUTO iTEC GmbH

Grißheimer Weg 21
D-79423 Heitersheim
Germany

Tel: +49 (0) 7634 50488 00
Email: sales@suto-itec.com
Website: www.suto-itec.com

SUTO iTEC (ASIA) Co., Ltd.

Room 10, 6/F, Block B, Cambridge Plaza
188 San Wan Road, Sheung Shui, N.T.
Hong Kong

Tel: +852 2328 9782
Email: sales.asia@suto-itec.com
Website: www.suto-itec.com

SUTO iTEC Inc.

5460 33rd St SE
Grand Rapids, MI 49512
USA

Tel: +1 (616) 800-7886
Email: sales.us@suto-itec.com
Website: www.suto-itec.com

SUTO iTEC (Thailand) Co., Ltd.

Head Office: 91/66 Suwinthawong Rd,
Minburi Bangkok 10510
Thailand

Tel: +66 (0)2108 9658
Email: sales.th@suto-itec.com
Website: www.suto-itec.com